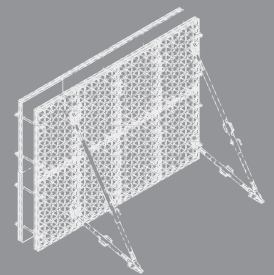
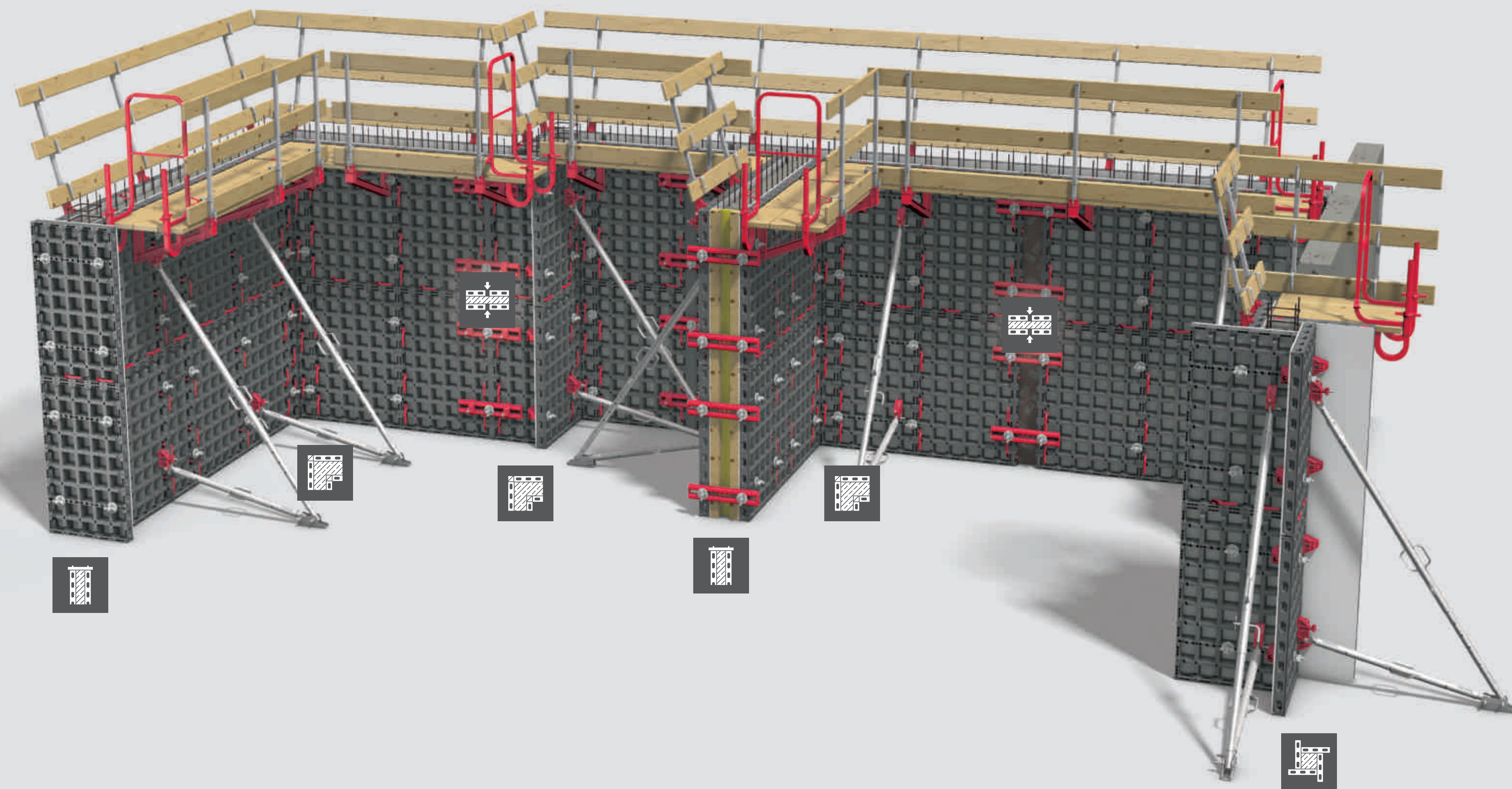
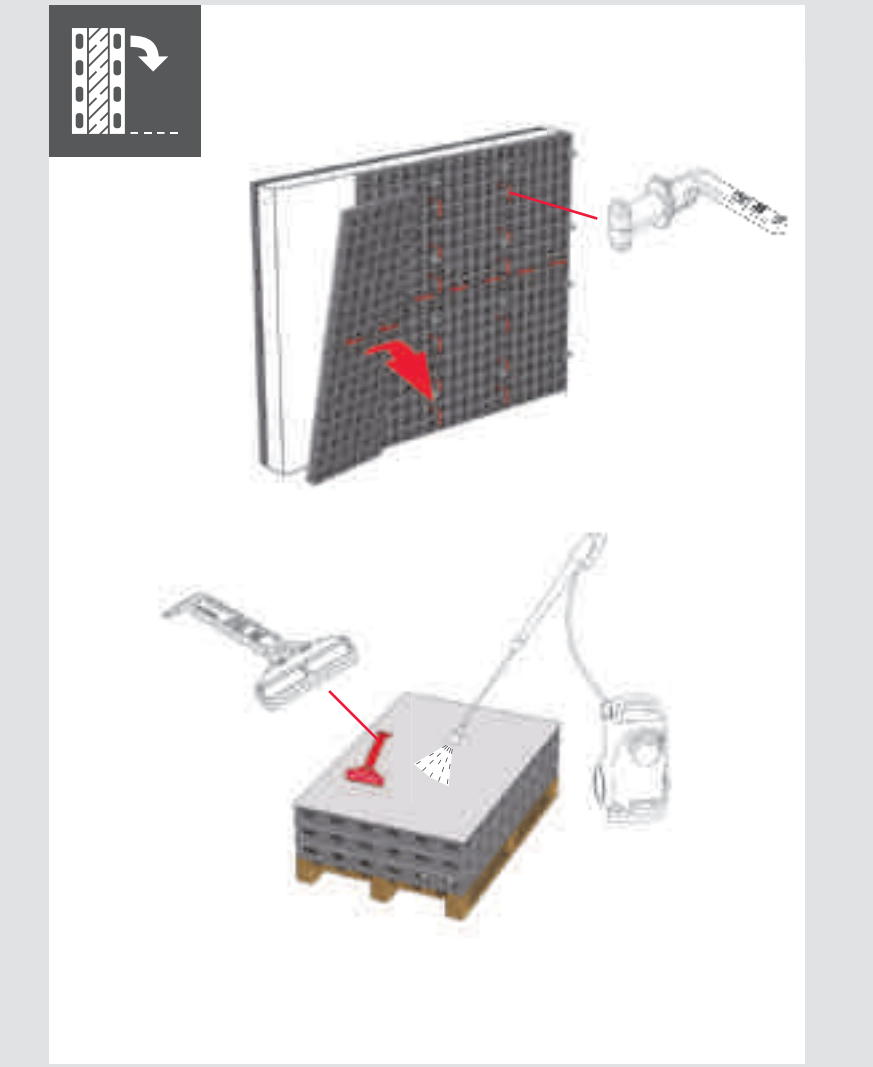
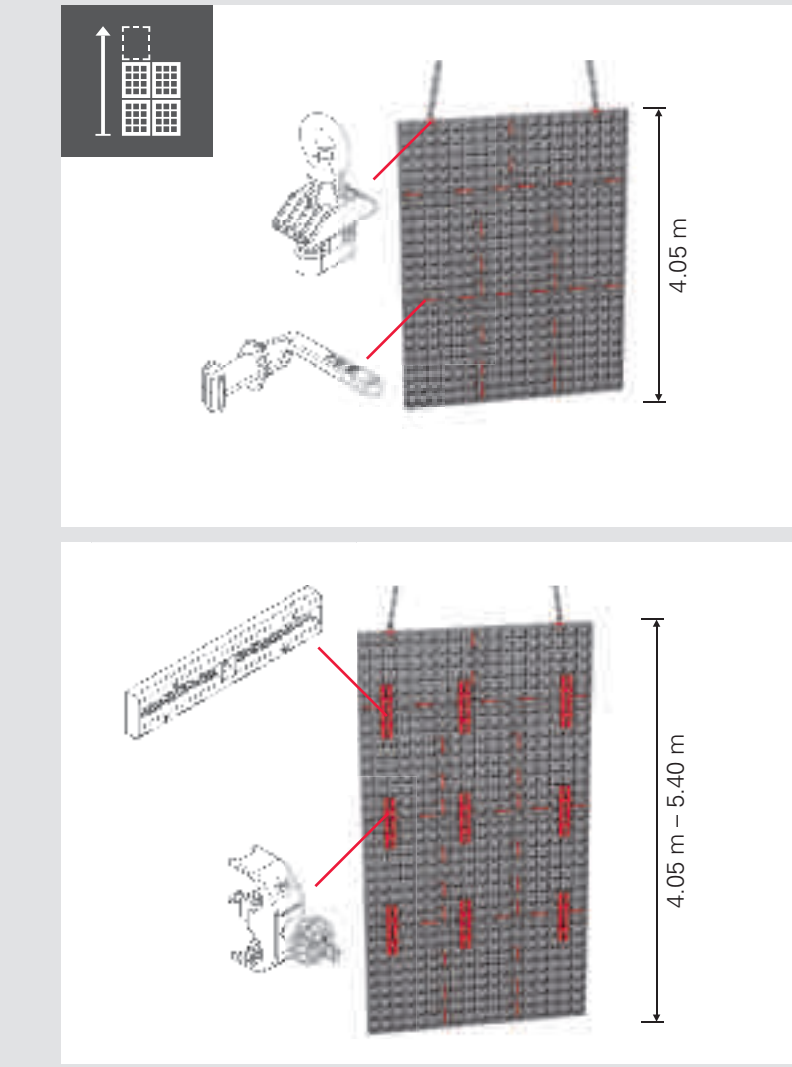
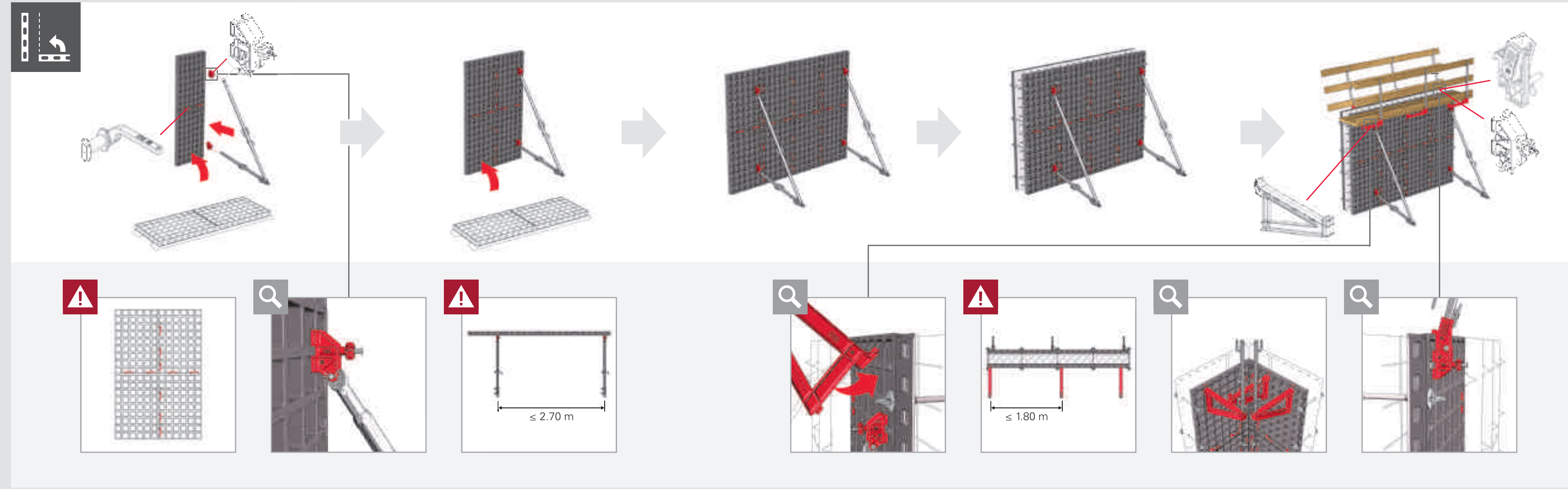
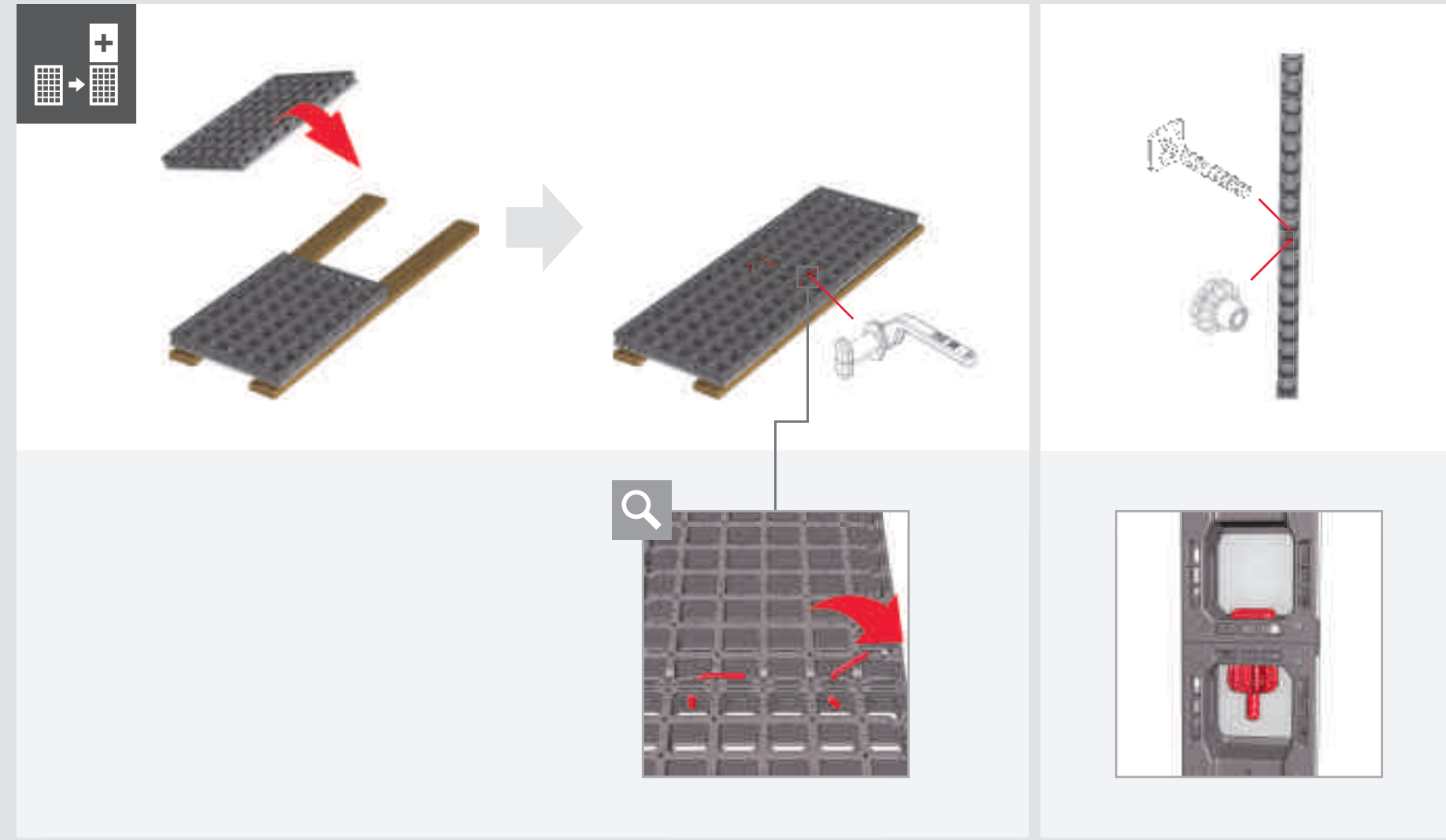
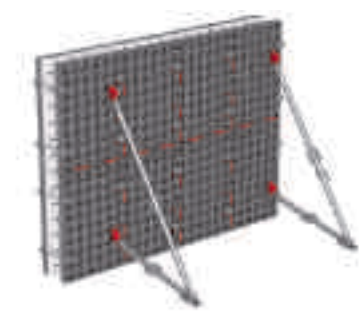


DUO

As Wall and Column Formwork

Product Brochure – Issue 09/2015





i

1

2

This poster presents only part of the intended use of the system. The poster may only be used in connection with the corresponding instructions for Assembly and Use and Original Inscriptions.

All current laws and regulations in those states and countries where our products are to be used must be observed. If no country-specific regulations are available, it is recommended to proceed according to German rules and regulations.

PERI Formwork Scaffolding Engineering
 Haupt-Geschäftsstelle
 65254 Wiesbaden
 Germany
 Tel. +49 (0)7309 950-0
 Fax +49 (0)7309 950-1
 info@peri.com
 www.peri.com

A

≤ 50 kN/m²

A

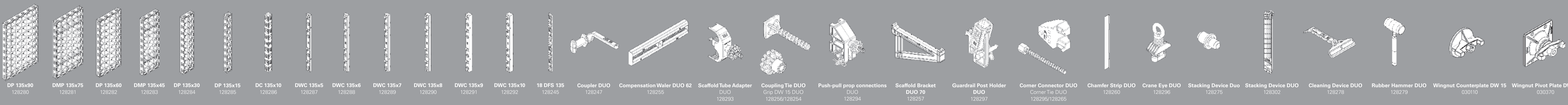
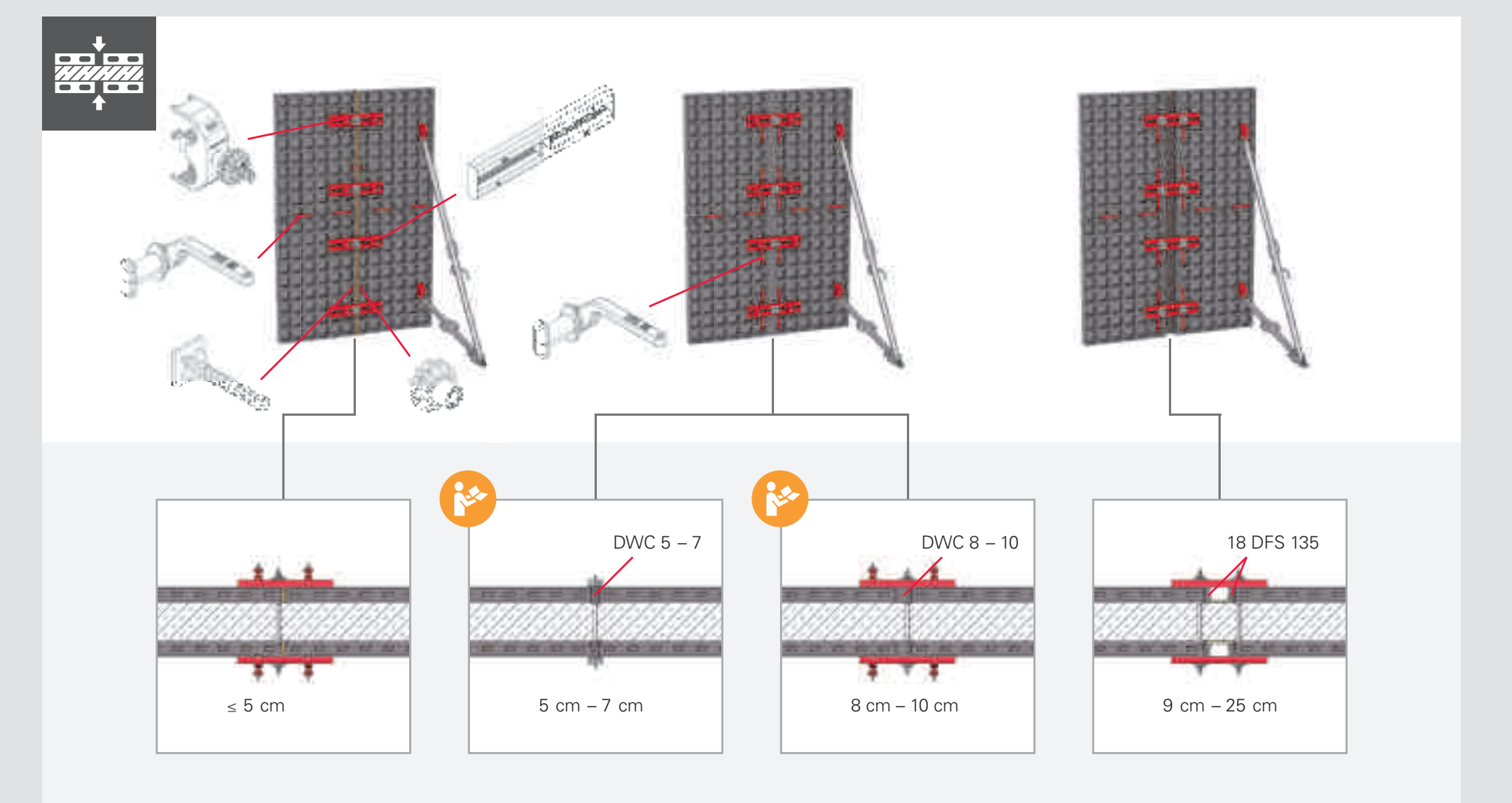
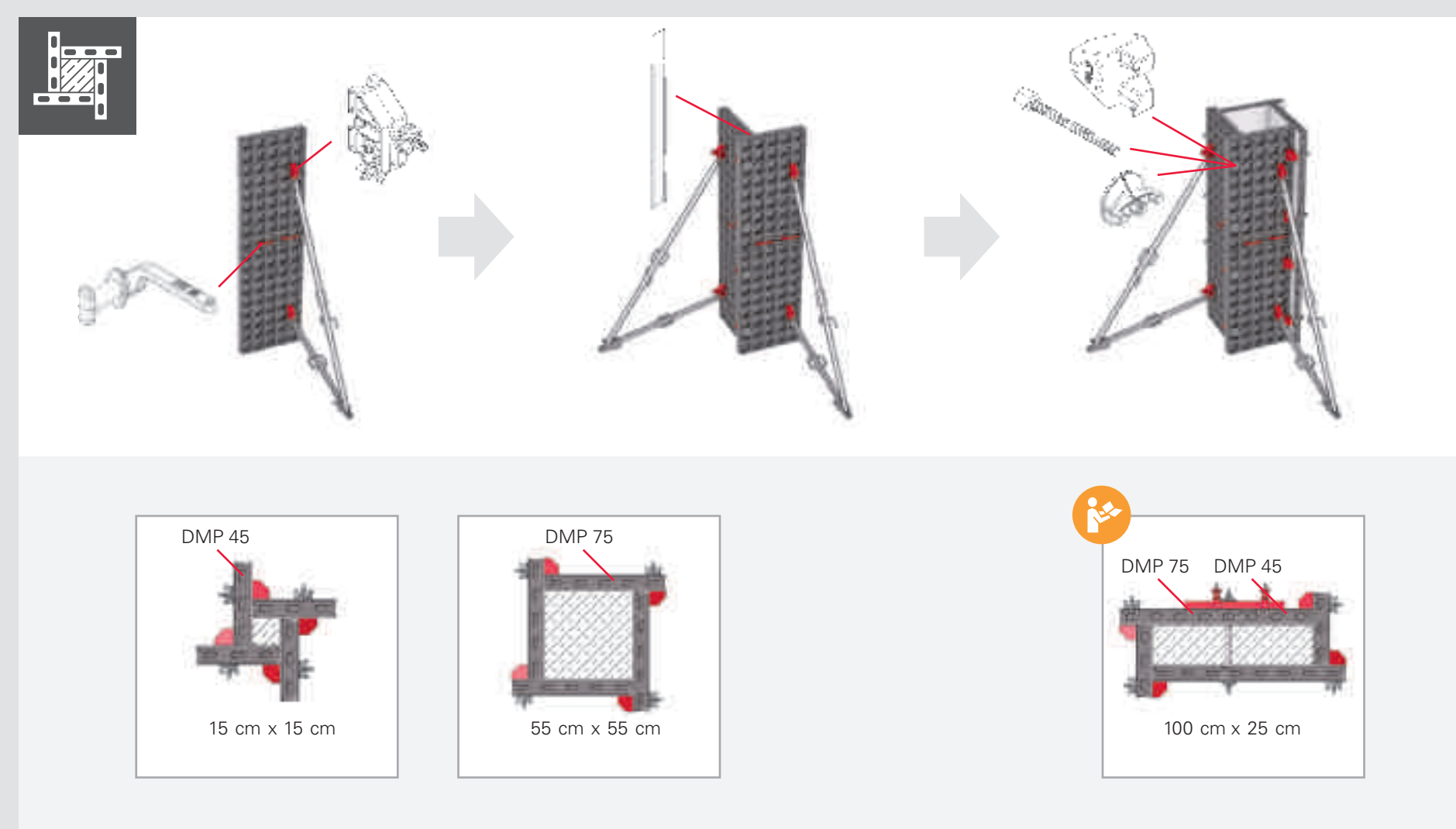
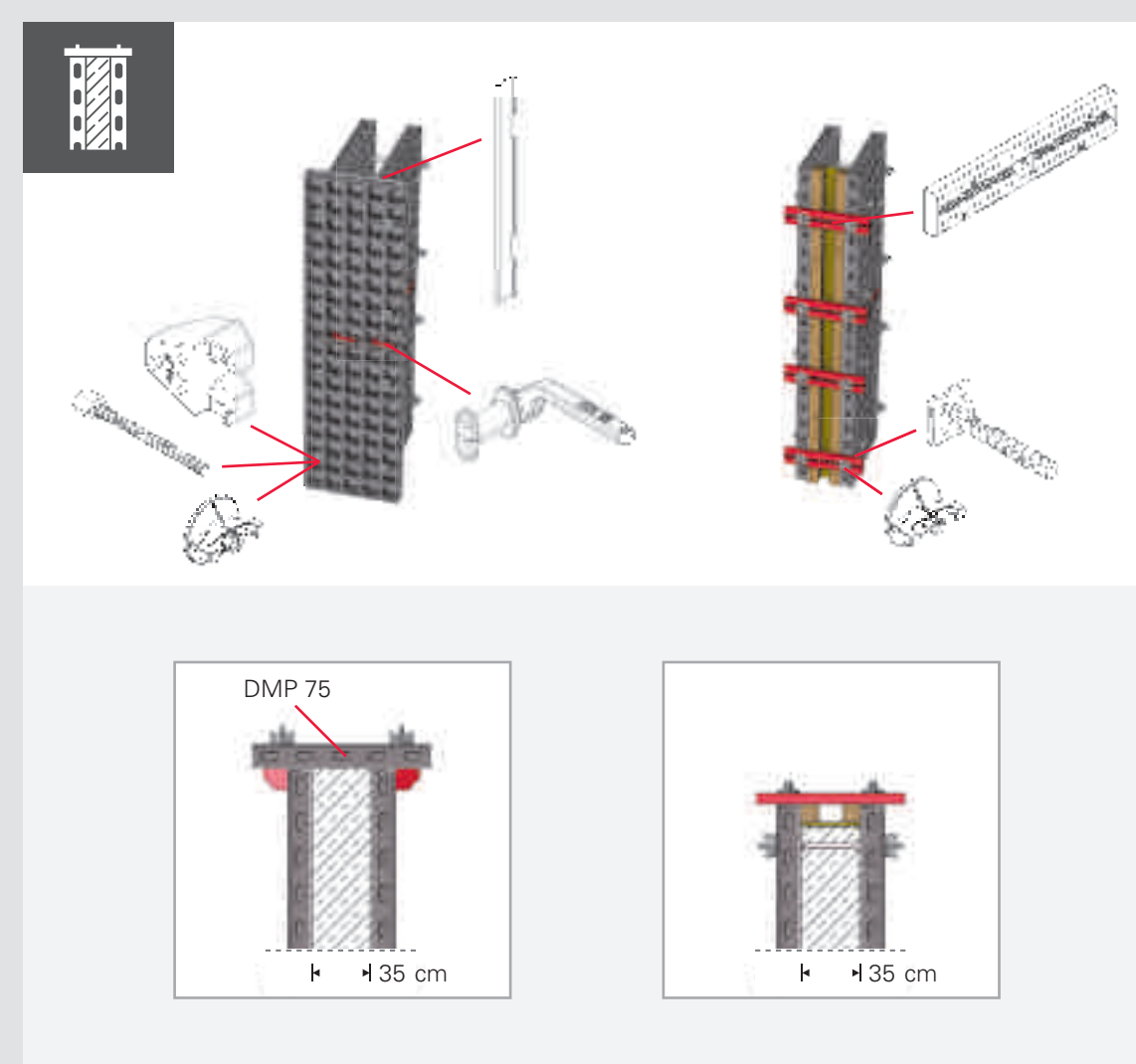
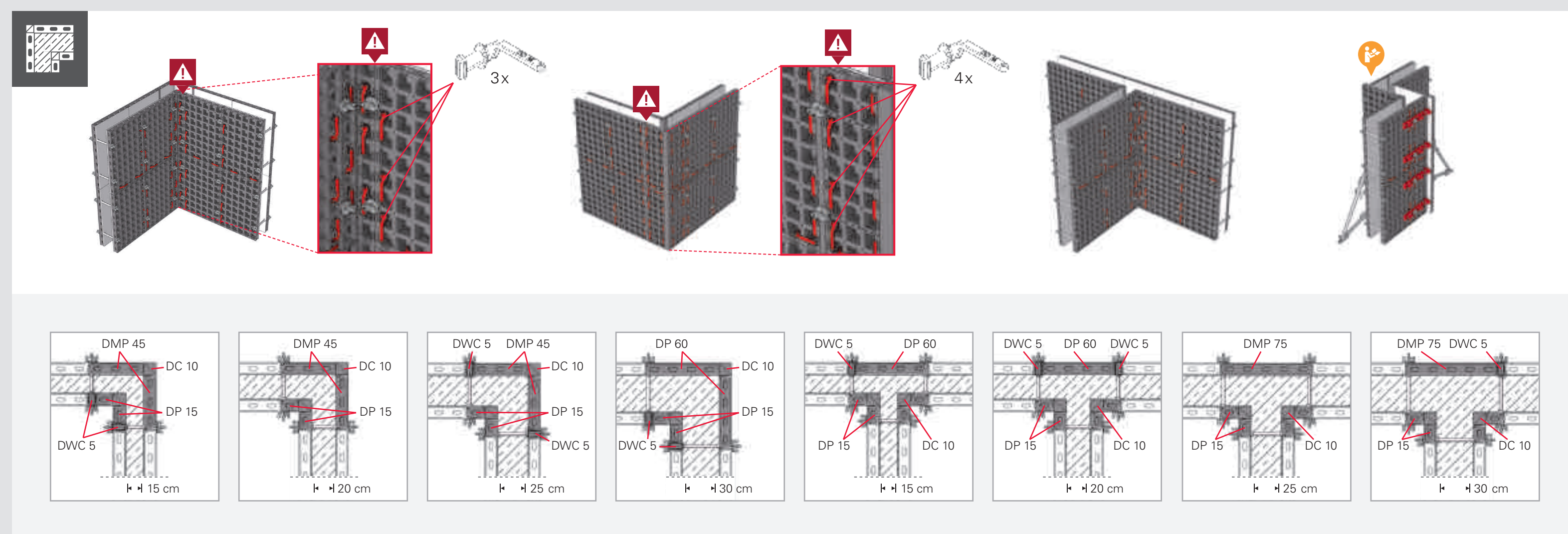
≤ 80 kN/m²

A

≤ 200 kg
≤ 30°

B

B



**The optimal System
for every Project and
every Requirement**



Wall Formwork



Column Formwork



Slab Formwork



Climbing Systems



Bridge Formwork



Tunnel Formwork



Shoring Systems



Construction Scaffold



Facade Scaffold



Industrial Scaffold



Access



Protection Scaffold



Safety Systems



System-Independent Accessories



Services



PERI GmbH
Formwork Scaffolding Engineering
 Rudolf-Diesel-Strasse 19
 89264 Weissenhorn
 Germany
 Tel. +49 (0)7309.950-0
 Fax +49 (0)7309.951-0
 info@peri.com
 www.peri.com