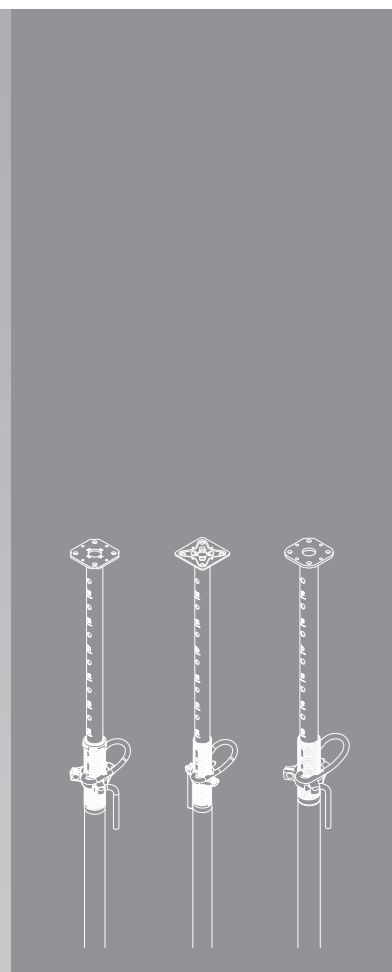


# PEP Ergo, PEP 10, PEP 20, PEP 30 Slab Props

Instructions for Assembly and Use – Standard Configuration – Edition 11/2017



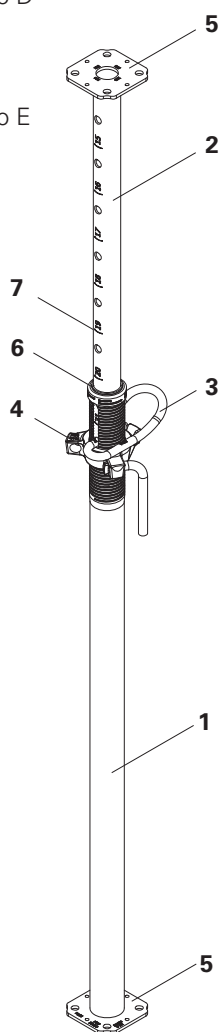
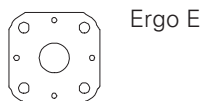
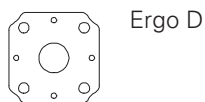
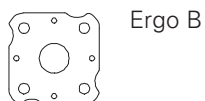


<b>Overview</b>		
	Main components	3
	Key	4
	Presentational reference	4
<b>Introduction</b>		
	Target groups	5
	Additional technical documentation	5
	Intended use	6
	Instructions on use	6
	Cleaning and maintenance instructions	7
<b>Safety instructions</b>		
	Cross-system	8
	System-specific	9
	Care and maintenance	9
	Storage and transportation	9
<b>Standard configuration</b>		
A1	Assembly	
	Pre-assembling the slab prop	10
	Assembly with Tripod PEP Ergo	11
	Assembly with Universal Tripod	12
	Assembly with PEP Frame PRK	13
A2	Dismantling	
	Releasing the slab prop under load	14
A3	Accessories	
	Brace Clamp	15
	Base MP 50	16
A4	Foreseeable misapplications	17
A5	Storage and transportation	20
<b>Design tables</b>		
	Permissible prop loads	
	PEP Ergo B	22
	PEP Ergo B with Base MP 50	23
	PEP Ergo D	24
	PEP Ergo D with Base MP 50	25
	PEP Ergo E	26
	PEP Ergo E with Base MP 50	27
	PEP 10	28
	PEP 20	30
	PEP 20 with Base MP 50	31
	PEP 30	32
	PEP 30 with Base MP 50	33
<b>Components</b>		
	PEP Slab Props	34

## Main components

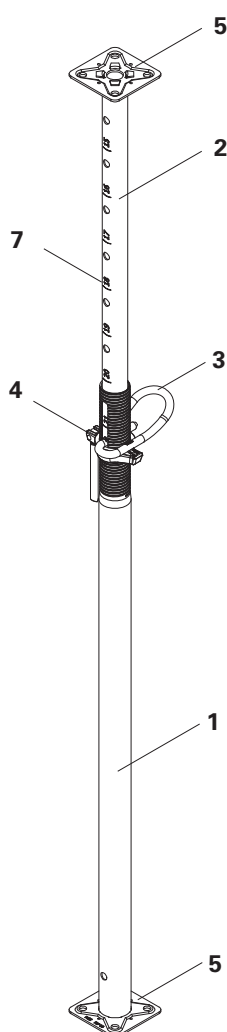
### PEP Ergo B, D, E

End Plates:



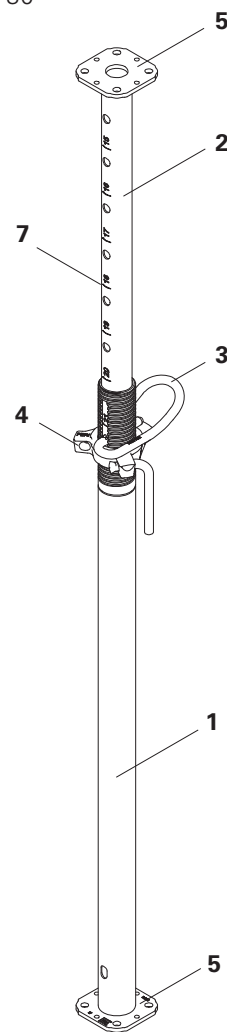
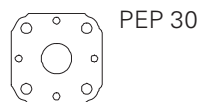
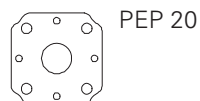
### PEP 10

End Plates:



### PEP 20, 30

End Plates:



- 1 Outer tube
- 2 Inner tube
- 3 G-Hook
- 4 Adjusting nut with grip
- 5 End plates inner tube / outer tube
- 6 Limit stop (only PEP Ergo)
- 7 Measuring scale




## Key

### Pictogram | Definition


 Safety instructions

 Note

 Load-bearing point

 Visual check

 Tip

 Misapplication

 Safety helmet

 Safety shoes

 Safety gloves

 Safety glasses

### Dimension specifications

Dimensions are usually given in cm. Other measurement units, e.g. m, are shown in the illustrations.

### Conventions

- Instructions are numbered with: 1. ...., 2. ...., 3. ....
- The result of an instruction is shown by: →
- Position numbers are clearly provided for the individual components and are given in the drawing, e.g. 1, in the text in brackets, for example (1).
- Multiple position numbers, i.e. alternative components, are represented with a slash, e.g. 1 / 2.

### Arrows

- ➔ Arrow representing an action
- ➡ Forces

---

## Presentational reference

The illustration on the front cover of these instructions is understood to be a system representation only. The assembly steps presented in these Instructions for Assembly and Use are shown in the form of examples with only one component size. They are valid accordingly for all component sizes contained in the standard configuration.

For a better understanding, detailed illustrations are partly incomplete. The safety installations which have possibly not been included in these detailed drawings must nevertheless still be available.

## Target groups

### Contractors

These Instructions for Assembly and Use are designed for contractors who use the scaffolding either for

- assembling, modifying and dismantling, or
- use it, e.g. for concreting, or
- who have it used, e.g. for forming operations.

### Competent person

(Construction Site Coordinator)

The Safety and Health Coordinator\*

- is appointed by the client,
- must identify potential hazards during the planning phase,
- determines measures that provide protection against risks,
- creates a safety and health plan,
- coordinates the protective measures for the contractor and site personnel so that they do not endanger each other,
- monitors compliance with the protective measures.

### Competent person qualified to carry out inspections

Due to the specialist knowledge gained from professional training, work experience and recent professional activity, the competent person qualified to carry out inspections has a reliable understanding of safety-related issues and can correctly carry out inspections. Depending on the complexity of the test to be undertaken, e.g. scope of testing, type of testing or the use of a certain measuring devices, a range of specialist knowledge is necessary.

### Qualified persons

The scaffolding may only be assembled, modified or dismantled by personnel who are suitably qualified to do so. For the work to be carried out, the qualified persons must have received instructions\*\* covering at least the following points:

- Explanation of the plan for the assembly, modification or dismantling of the scaffolding in an understandable form and language.
- Description of the measures in order

to safely assemble, modify or dismantle the scaffolding.

- Designation of the preventive measures to avoid the risk of persons and objects falling.
- Designation of the safety precautions in the event of changing weather conditions which could adversely affect the safety of the scaffolding as well as the personnel concerned.
- Details regarding the permissible loads.
- Description of any other risks that are associated with the assembly, modification or dismantling procedures.



- **In other countries, ensure that the relevant national guidelines and regulations in the respective current version are complied with!**
- **If no country-specific regulations are available, it is recommended to proceed according to German rules and regulations.**
- **A competent person must be present on site during scaffolding operations.**

\* Valid in Germany: Regulations for Occupational Health and Safety on Construction Sites 30 (RAB 30)

\*\* Instructions are given by the contractor himself or a competent person appointed by him.

## Additional technical documentation

- Approvals
  - Z-8.311-899
  - Z-8.311-934
  - Z-8.311-941
- Instructions for Assembly and Use
  - Slab formwork
    - MULTIFLEX
    - SKYDECK
    - GRIDFLEX
  - Slab tables
    - TABLE MODULES
    - VARIODECK
    - SKYTABLE
- Instructions for Use
  - Pallets and Stacking Devices
- PERI Design Tables – Formwork and Shoring
- Brochures
  - PEP Ergo Slab Props
  - PEP 10 Slab Props
  - PEP 20, 30 Slab Props

**The structures shown in these Instructions for Assembly and Use are examples and feature only one prop type and component size respectively. They are valid for all types and component sizes contained in the standard configuration.**

## Intended use

### Product description

PERI products have been designed for exclusive use in the industrial and commercial sectors by qualified users only.

#### PEP Slab Props

- are steel slab props with an integrated extension device,
- comply with the load requirements of DIN EN 1065,
- are used as vertical supports for temporary constructions.

### Features

PEP Slab Props are used in shoring assemblies in a planned perpendicular position in order to transfer vertical loads. In particular, they also provide support for slab formwork systems. All components are galvanized.

The overall length of the slab prop is stamped in 10 cm increments on the pegging holes on the inner tube. The adjustment range per marking is max. 12 cm.

Safe working conditions are guaranteed at all times through:

- anti-crush guard
- anti-dropout safeguard on the inner tube
- ergonomic and non-jamming G-Hook

#### PEP Ergo:

The max. length of the slab prop is stamped in [cm] on the end plates. The length details are clearly legible on those slab props stored in pallets.

### Technical data

- Props according to DIN EN 1065
- For load-bearing capacities, see tables

---

## Instructions on use

The use in a way not intended, deviating from the standard configuration or the intended use according to the Instructions for Assembly and Use, represents a misapplication with a potential safety risk, e.g. risk of falling.

Deviations from the standard configuration must be verified for the application by means of separate strength and stability calculations. (Industrial Safety Regulation Appendix 1, No. 3.2.1 and explicitly reflected in the assembly instructions.)

Only PERI original components may be used. The use of other products and spare parts is not allowed.



## Cleaning and maintenance instructions

Clean the panels after each use to maintain the value and usability of the PERI products over the long term.

Some repair work may also be inevitable due to the tough working conditions. The following points should help to keep cleaning and maintenance costs as low as possible.

Never use steel brushes or hard metal scrapers to clean powder-coated or galvanised components.

Provide suitable support for the components during cleaning so that no unintentional change in their position is possible.

Do not clean components suspended on a crane.

Any repairs to PERI products are to be carried out by PERI qualified personnel only.

## Cross-system

### General

The contractor must ensure that the Instructions for Assembly and Use supplied by PERI are available at all times and understood by the site personnel.

These Instructions for Assembly and Use can be used as the basis for creating a risk assessment. The risk assessment is compiled by the contractor. These Instructions for Assembly and Use do not replace the risk assessment!

Always take into consideration and comply with the safety instructions and permissible loads.

For the application and inspection of PERI products, the current safety regulations and guidelines valid in the respective countries must be observed.

Materials and working areas are to be inspected on a regular basis, especially before each use and assembly, for:

- signs of damage,
- stability and
- functionality.

Damaged components must be exchanged immediately on site and may no longer be used.

Safety components are to be removed only when they are no longer required.

Components provided by the contractor must conform with the characteristics required in these Instructions for Assembly and Use as well as all valid construction guidelines and standards. Unless otherwise indicated, this applies in particular to:

- Timber components: Strength Class C24 for Solid Wood according to EN 338.
- Scaffold tubes: galvanised steel tubes with minimum dimensions of  $\varnothing 48.3 \times 3.2$  mm according to EN 12811-1:2003 4.2.1.2.
- Scaffold tube couplings according to EN 74.

Deviations from the standard configuration are only permitted after a further risk assessment has been carried out by the contractor.

On the basis of this risk assessment, appropriate measures for working and operational safety as well as stability are to be determined.

Corresponding proof of stability can be provided by PERI on request if the risk assessment and resulting measures to be implemented are made available.

Before and after exceptional occurrences that may have an adverse effect regarding the safety of the scaffolding system, the contractor must immediately

- create an additional risk assessment, with appropriate measures for ensuring the stability of the scaffolding system being carried out based on the results,
- arrange for an extraordinary inspection to be carried out by a competent person qualified to do so. The aim of this inspection is to identify and rectify any damage in good time in order to guarantee the safe use of the scaffolding system.

Exceptional occurrences can include:

- accidents,
- longer periods of non-use,
- natural events, e.g. heavy rainfall, icing, heavy snowfall, storms or earthquakes.

### Assembly, modification and dismantling work

Assembly, modification or dismantling of the shoring system may only be carried out by qualified persons and under the supervision of a competent person. The qualified personnel must have received appropriate training for the work to be carried out with regard to specific risks and dangers.

On the basis of the risk assessment and Instructions for Assembly and Use, the contractor must create assembly instructions in order to ensure safe assembly, modification and dismantling of the shoring system.

Before initial use, the safe functioning of the shoring system must be checked by a person qualified to carry out the inspection. The results of the inspection

must be documented in an inspection record.

The contractor must ensure that the personal protective equipment required for the assembly, modification or dismantling of the shoring system, e.g.

- safety helmet,
- safety shoes,
- safety gloves,
- safety glasses,

is available and used as intended.

If personal protective equipment against falling (PPE) is required or specified in local regulations, the contractor must determine appropriate attachment points on the basis of the risk assessment.

The personal protective equipment against falling to be used is determined by the contractor.

The contractor must

- provide safe working areas for site personnel which are to be reached through the provision of safe access ways. Areas of risk must be cordoned off and clearly marked.
- ensure the stability during all stages of construction, in particular during assembly, modification and dismantling operations.
- ensure and prove that all loads can be safely transferred.

### Utilization

Every contractor who uses or allows the shoring system or sections of the shoring to be used, has the responsibility for ensuring that the equipment is in good condition.

If the shoring system is used successively or at the same time by several contractors, the health and safety coordinator must point out any possible mutual hazards and all work must be then coordinated.

## System-specific

Retract components only when the concrete has sufficiently hardened and the person in charge has given the go-ahead for striking to take place.

Anchoring is to take place only if the anchorage has sufficient concrete strength.

## Care and maintenance

PEP Slab Props have been designed for long-term use on the construction site. In order to maintain the value and operational readiness of the PEP Slab Props for a long time, ensure that the Slab Props are carefully handled at all times.

## Storage and transportation

Store and transport components ensuring that no unintentional change in their position is possible. Detach lifting accessories and slings from the lowered components only if they are in a stable position and no unintentional change is possible.

Do not drop the components.

Use PERI lifting accessories and slings as well as only those load-bearing points provided on the component.

During the moving procedure

- ensure that components are picked up and set down so that unintentional falling over, falling apart, sliding, falling down or rolling is avoided.
- no persons are allowed to remain under the suspended load.

The access areas on the construction site must be free of obstacles and tripping hazards as well as being slip-resistant.

For transportation, the surface must have sufficient load-bearing capacity.

Use original PERI storage and transport systems, e.g. crate pallets, pallets or stacking devices.

## Pre-assembling the slab prop



For the safety of the user, the following should be checked before every use to make sure

- the slab prop is complete,
- the slab prop has no cracks, holes or broken parts,
- the inner tube and adjusting nut are smooth-running and the end plates are level.



- Shown here is the assembly of a free-standing slab prop.
- When used in the system, the respective Instructions for Assembly and Use are to be taken into account.
- The stamped numbers show the overall length (L) of the slab prop in decimetres [dm]. e.g. 20 = 20 dm = 2.00 m.
- The overall length of the slab prop is read off at the end of the outer tube (1a).

### Pre-assembly

1. Extend inner tube (2) of the slab prop to the required height marking (7). (Fig. A1.01 + A1.01a)
2. Turn the inner tube so that the hole in the elongated hole (1b) of the outer tube (1) is visible. (Fig. A1.01 + A1.01a)
3. Insert G-hook (3) in the visible hole and push in as far as possible (3a). → inner tube is now fixed. (Fig. A1.01a)
4. Turn adjusting nut (4) on the grip (4a) to the required size. (Fig. A1.01a)

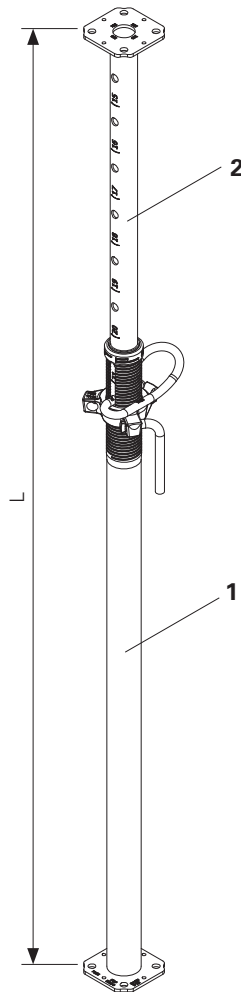


Fig. A1.01

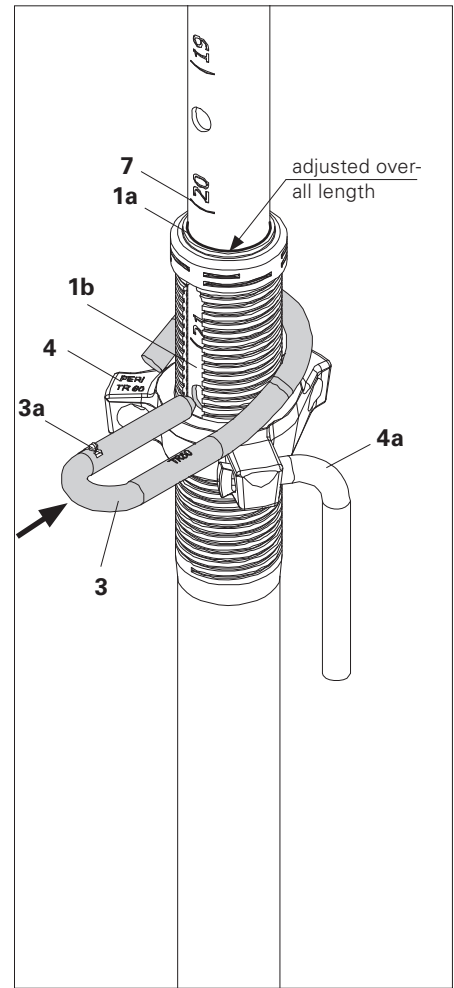


Fig. A1.01a

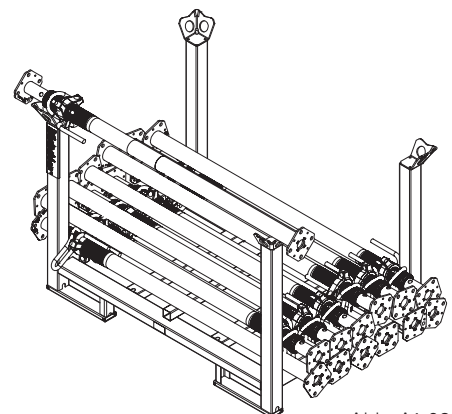


Abb. A1.02



For pre-assembly, place slab prop on a Pallet RP-2. (Fig. A1.02)

## Assembly with Tripod PEP Ergo

For slab props with tube  $\varnothing$  44 – 64 mm.



### Slab prop and tripod

- place on clean, flat and sufficiently load-bearing surface only!
- are not suitable for a planned transfer of horizontal loads!



- Shown here is the assembly of a free-standing slab prop.
- When used in the system, the respective Instructions for Assembly and Use are to be taken into account.
- PEP Ergo Tripods (8) are simply assembly aids for shuttering and striking up to heights of approx. 3 m.

### Tripod assembly

1. Insert pre-assembled slab prop into the tripod (8).

(Fig. A1.03)

2. Secure push-pull device (8a) with a hammer.

(Fig. A1.03)

Ensure that slab prop lies flat against the top and bottom connection plates (8b and 8c).

(Fig. A1.03a)



- Is the push-pull device securely in position?
- Does the slab prop lie completely flat against the top and bottom connection plates?
- Is the slab prop in a perpendicular position?

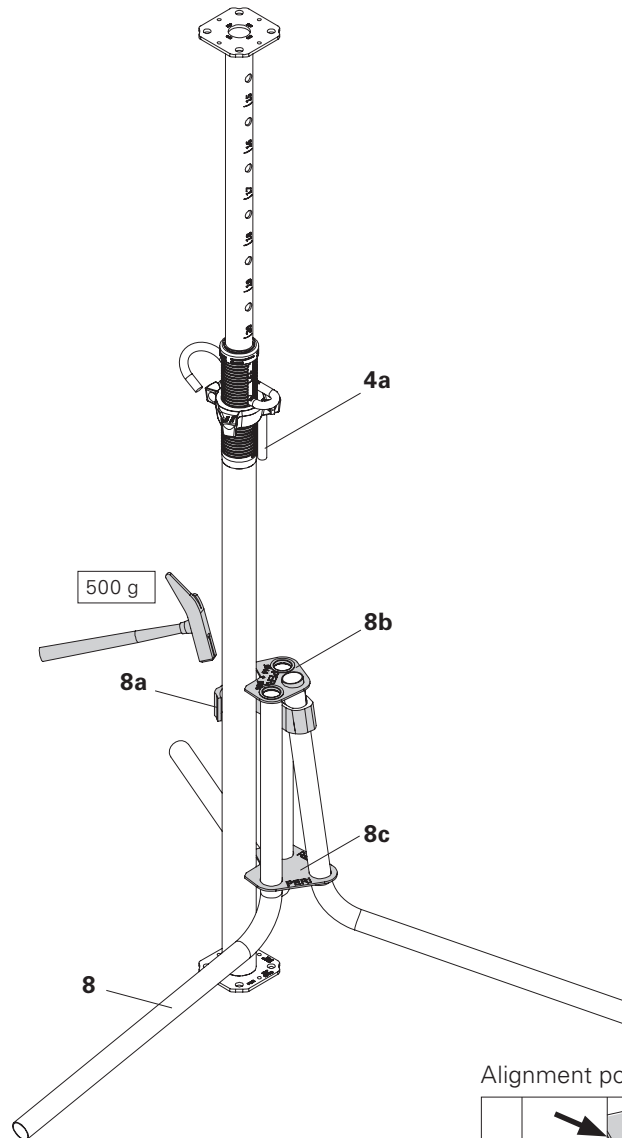


Fig. A1.03

Alignment points

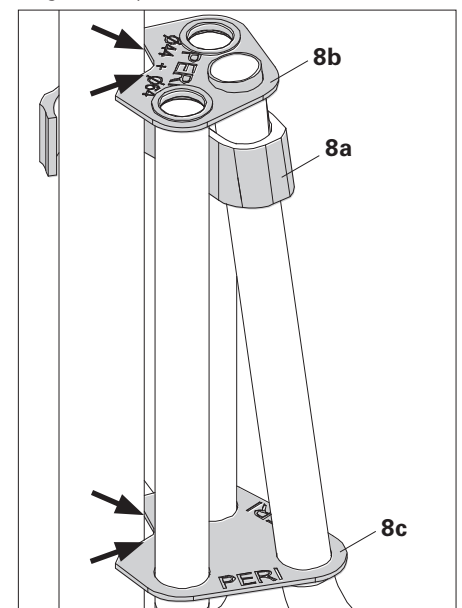


Fig. A1.03a

## Assembly with Universal Tripod

For slab props with tube  $\varnothing$  57 mm to 120 mm



### Slab prop and tripod

- place on clean, flat and sufficiently load-bearing surface only!
- are not suitable for a planned transfer of horizontal loads!



- Shown here is the assembly of a free-standing slab prop.
- When used in the system, the respective Instructions for Assembly and Use are to be taken into account.
- Universal tripods (9) are simply assembly aids for shuttering and striking up to heights of approx. 3 m.

### Universal tripod assembly

1. Insert pre-assembled slab prop into the universal tripod (9).  
(Fig. A1.04)
2. Tighten clamp (9a). Ensure that the slab prop lies flat against the top and bottom connection plates (9b and 9c).  
(Fig. A1.04a)



- Does the slab prop lie completely flat against the top and bottom connection plates?
- Has the clamp been tightened?
- Is the slab prop in a perpendicular position?

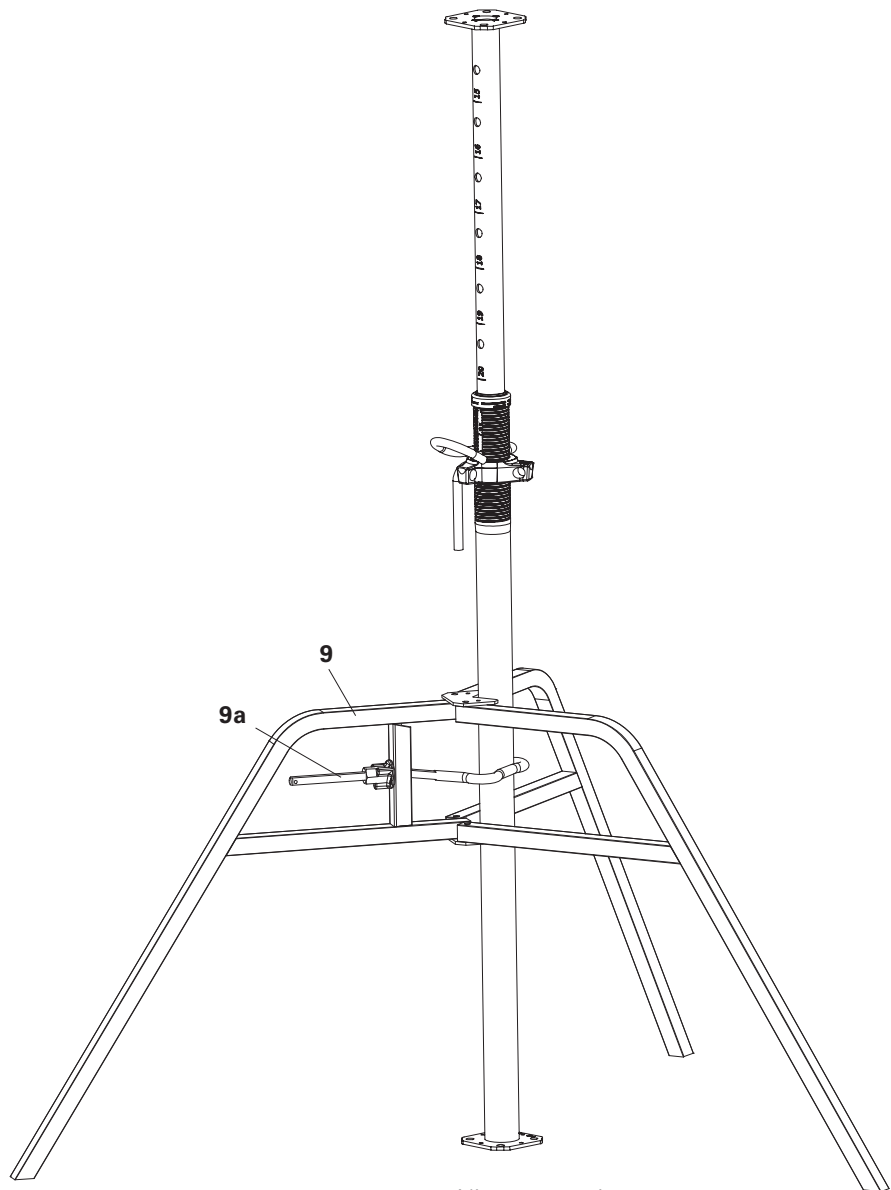


Fig. A1.04

Alignment points

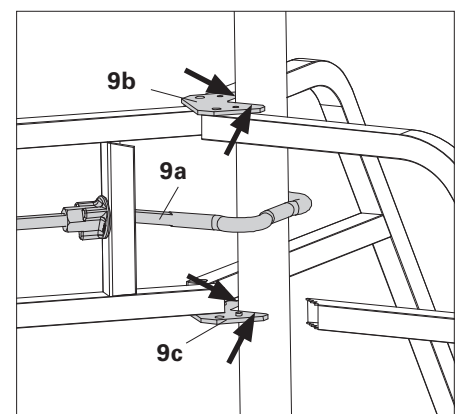


Fig. A1.04a

## Assembly with PEP Frame PRK

For slab props with tube  $\varnothing$  57 - 84 mm.



- Place slab prop on a clean, flat and sufficiently load-bearing surface only!
- Slab props and PEP Frame PRK are not suitable for a planned transfer of horizontal loads!



- Shown here is the assembly with free-standing slab props.
- When used in the system, the respective Instructions for Assembly and Use are to be taken into account.
- PEP Frames PRK (10) are simply assembly aids for shuttering and striking up to heights as of approx. 4 m.

### PEP Frame PRK assembly

1. Release wedge (10a) on the fasteners (10b) and open clamping jaws (10c). (Fig. A1.05)
  2. Insert pre-assembled slab prop between the fastener and clamping jaws. (Fig. A1.06)
  3. Close clamping jaw and push wedge downwards. Every frame has 4 fasteners each with one wedge (top and bottom as well as right and left). (Fig. A1.06 + A1.06a)
  4. Mount additional frames to the slab props.
  5. Hammer in all wedges (rebound impact).
- (Fig. A1.06 + A1.06a)



- Have all wedges been securely fixed?
- Are the slab props in a perpendicular position?

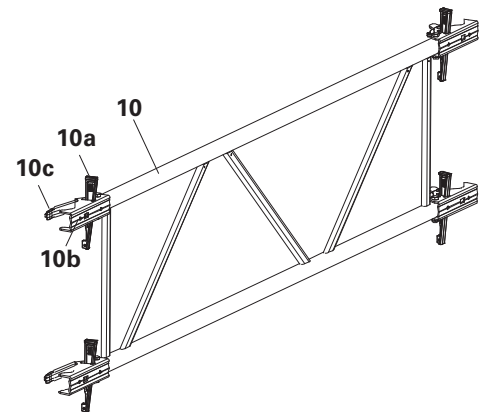


Fig. A1.05

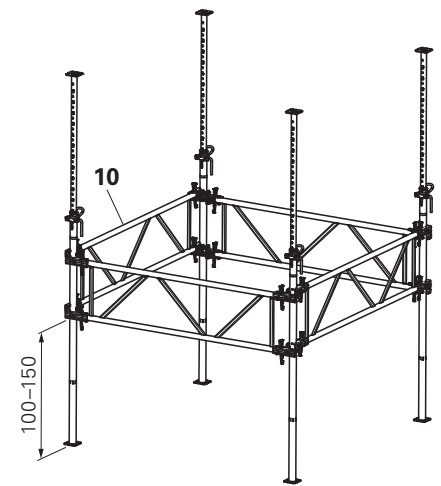


Fig. A1.06

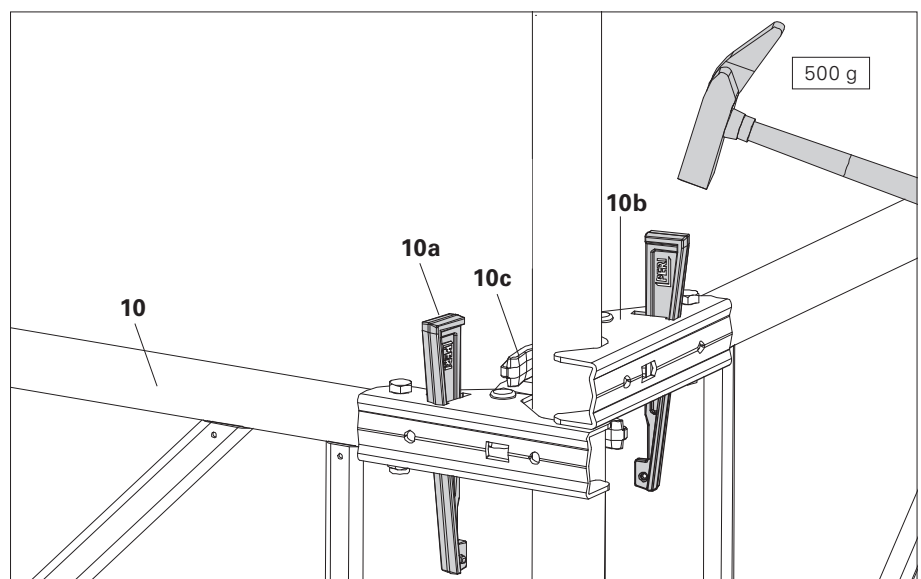


Fig. A1.06a

## Releasing the slab prop under load

### Dismantling:

1. Release adjusting nut and set load-free with:
  - Grip (4a) (Fig. A2.01a)
  - Hammer on cams dictating the direction (Fig. A2.01b)
  - Wingnut Spanner PEP item no. 118345 (Fig. A2.01c)



**Ensure that the slab prop is completely free of any load.**

2. Hold inner tube firmly and pull out G-Hook.
3. Push in inner tube.
4. Place slab prop in the pallet.



See Section A5 "Storage and transportation".



The wingnut spanner allows effortless and noiseless release of the adjusting nut - also with maximum prop load.

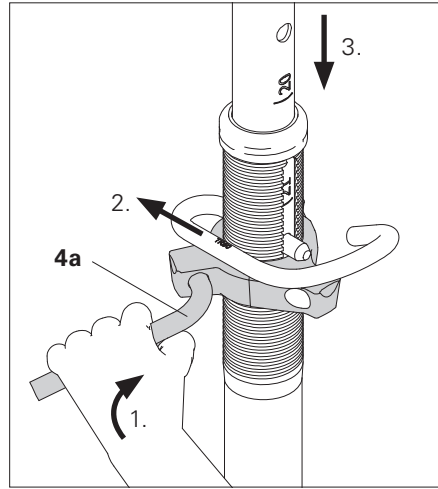


Fig. A2.01a

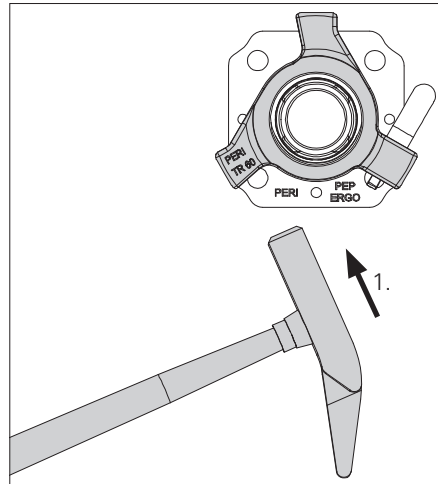


Fig. A2.01b

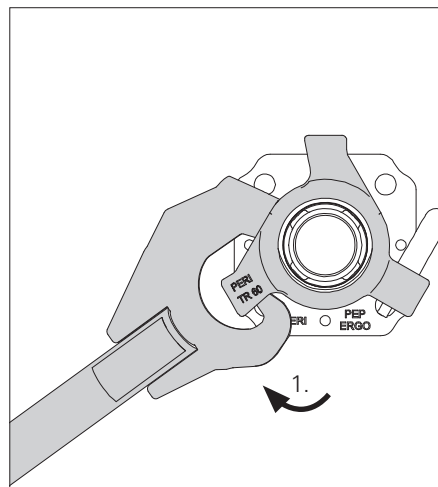
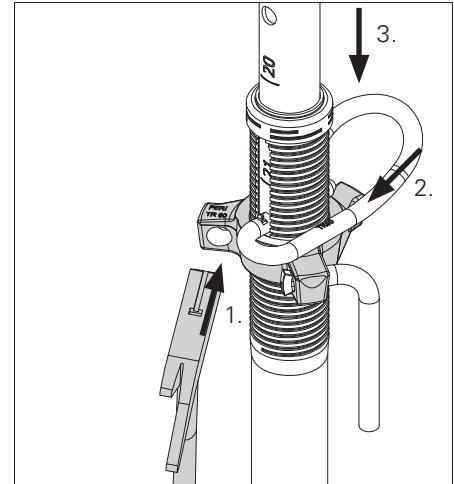
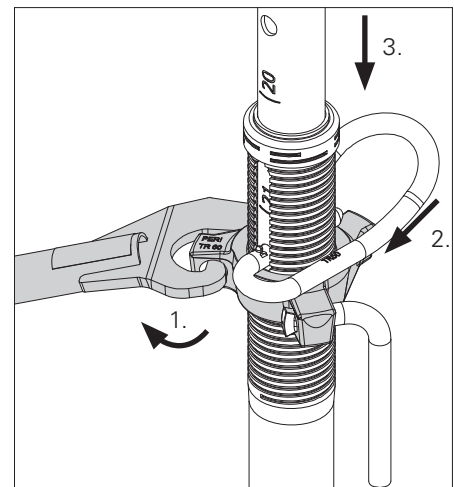


Fig. A2.01c





## Brace Clamp

Use as an alternative assembly aid with high slab props as of approx. 4 m using bracing boards 3 x 15 cm.



**Brace clamps are not suitable for a planned transfer of horizontal loads!**



- Brace clamps (11) are simply assembly aids for shuttering and striking procedures.
- As an option, tripods can be used as additional assembly aids.

### Assembly

1. Pull narrow side of the wedge (11a) out of the clamp.
  2. Lay brace clamp (11) around the tube of the slab prop.
  3. Insert board in the open side of the clamp.
  4. Put wedge back into recess of the clamp and hammer in securely.-> The wedge secures the board.
  5. Mount additional bracing boards using brace clamps.
- (Fig. A3.01)



- Are the slab props in a perpendicular position?
- Have all wedges been securely fixed?
- Are all wedges securing the boards?

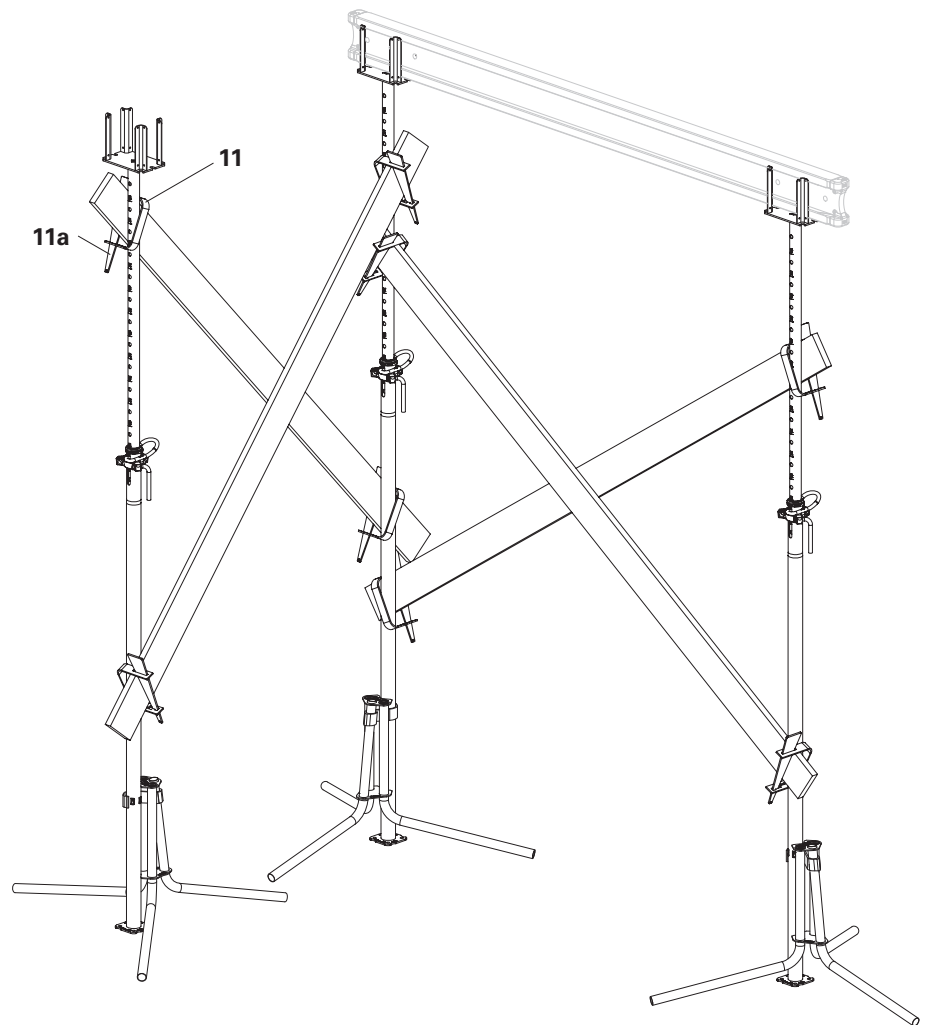


Fig. A3.01

## Base MP 50



**Take into account separate tables with permissible prop load!**

- Used to extend the slab prop by 50 cm.
- Automatic centering of the slab prop by means of centering pins.
- Two clamping claws connect the Base MP 50 with the slab prop.

### Assembly

1. Place Slab Prop (1) on the Base MP 50 (12) so that the two centering pins (12a) are securely positioned in the holes of the base plate.
2. Position clamping claw (12b) with a hammer on the end plate of the prop base.

(Fig. A3.02)



Are the two clamping claws fully set on the end plate?



Through the use of the Base MP 50, the same type of prop can be used at different heights.

### Dismantling

Release clamping claws with a hammer.

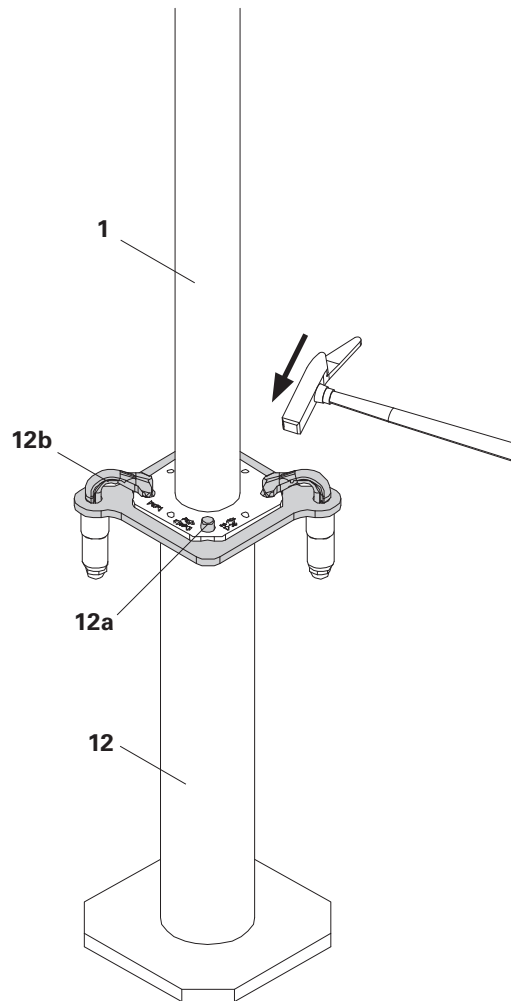


Fig. A3.02



**Applications of this or a similar kind are prohibited!**

**Ensure that slab props are always in a perpendicular position!**

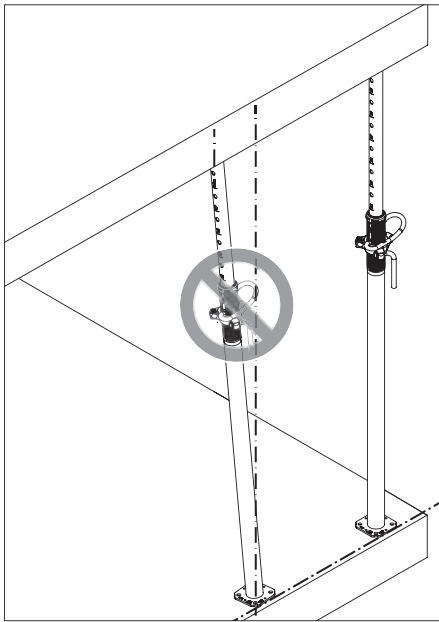


Fig. A4.01

**Only use full-faced support surfaces!**

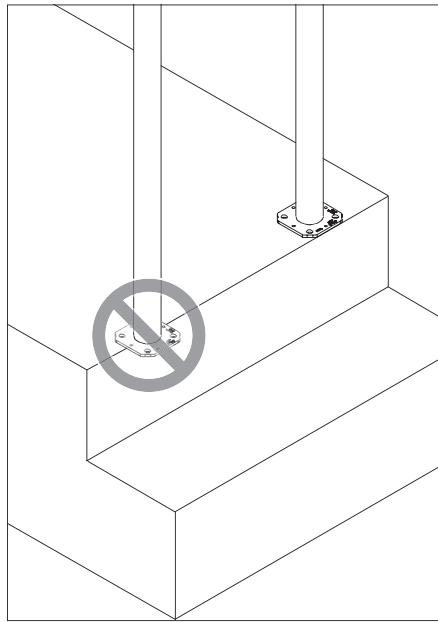


Fig. A4.02a

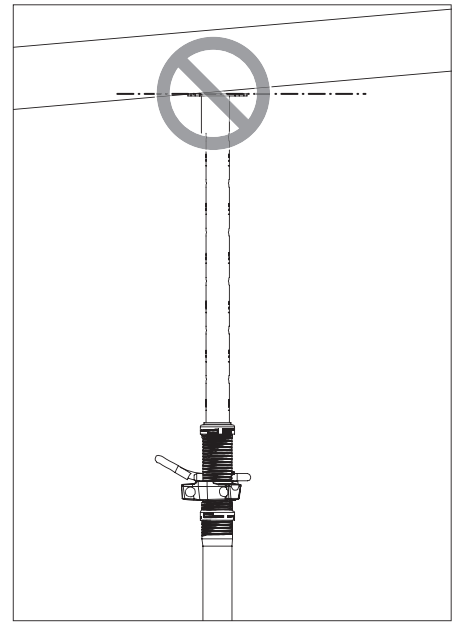


Fig. A4.02b



Slab props must always be in a vertical position.



End plates of the slab props must always lie completely flat. If necessary, fill the gap and secure the wedge.

**Non-loadable installation surface!**

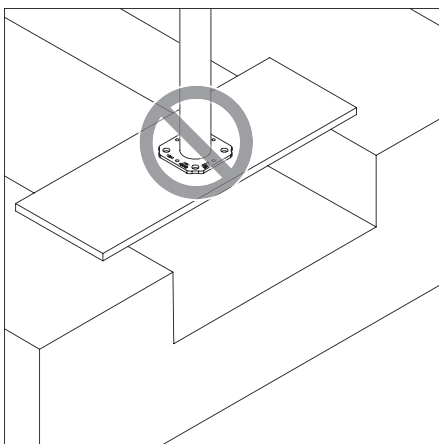


Fig. A4.03a

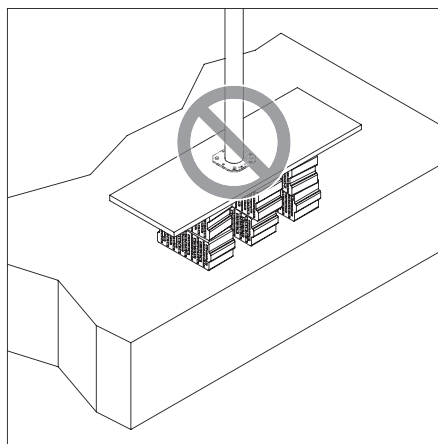


Fig. A4.03b



Slab props must always be positioned on sufficiently load-bearing and level surfaces.



## Applications of this or a similar kind are prohibited!

**Do not connect several slab props to each other!**

**Do not use a tie rod or reinforcement bar instead of a G-Hook!**

**Do not use for supporting formwork elements!**

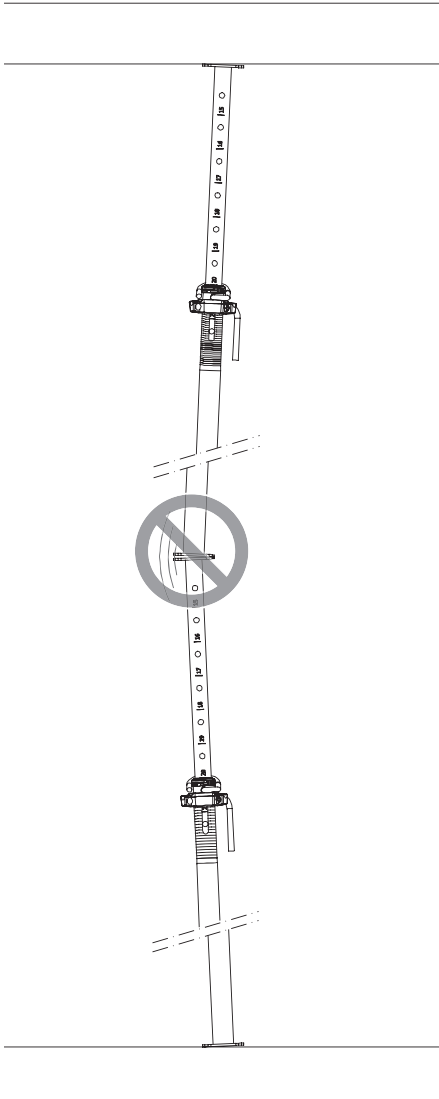


Fig. A4.04



If the clearance is too large, a longer slab prop or a shoring tower must be used, e.g. MULTIPROP MP or PERI UP.

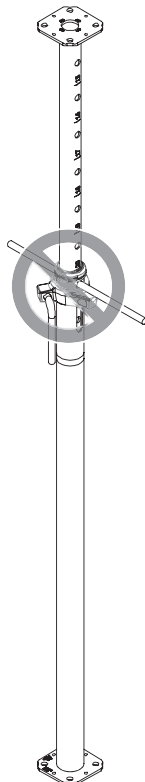


Fig. A4.05



Only use an original G-Hook for pinning the inner tube.

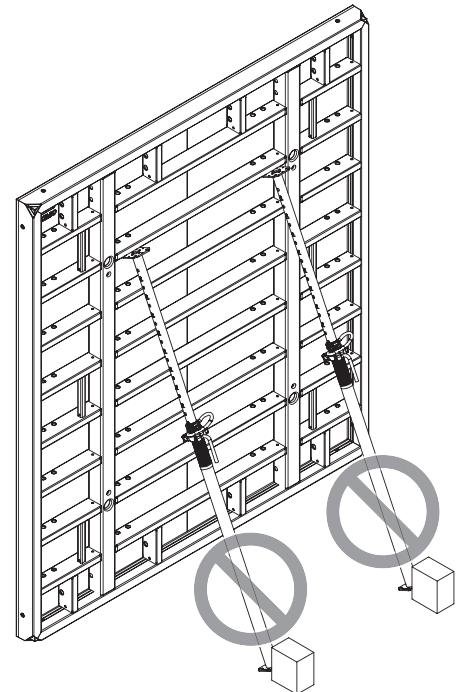


Fig. A4.06



Use designated support equipment, e.g. push-pull props or brace frames.



## Applications of this or a similar kind are prohibited!

**Do not use as a trench strut!**

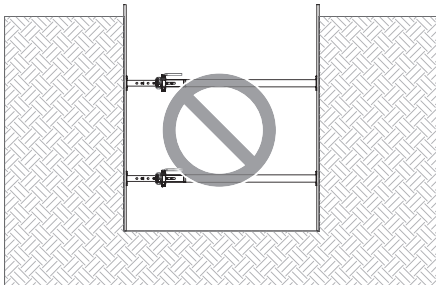


Fig. A4.07



Use designated trench strut.

**Do not use as anti-fall protection!**

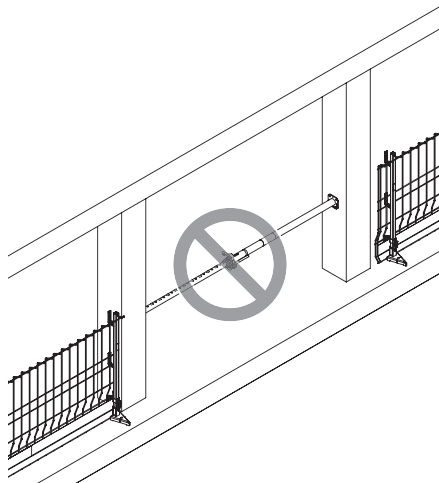


Fig. A4.08



Use designated anti-fall equipment, e.g. PROKIT EP 110.

**Do not use as a guardrail holder!**

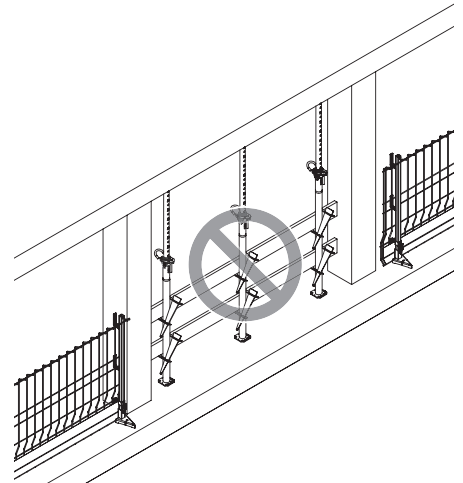


Fig. A4.09



Use designated anti-fall equipment, e.g. PROKIT EP 110 or EP 200.

## Ensure that no water collects inside the tube!

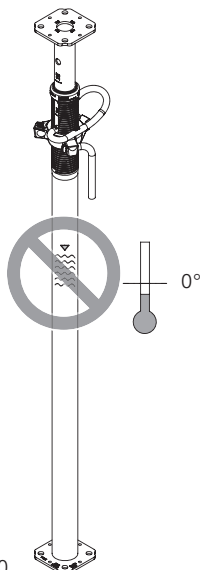


Fig. A4.10



Ensure that water can drain off!  
Do not close the openings!  
Frost will cause the water to freeze.  
Formation of ice can cause the inner tube with G-Hook to lift.



G-Hook must rest on the adjusting nut!



- Follow Instructions for Use for PERI Pallets and Stacking Devices!
- Follow PERI packaging guidelines!
- Transportation units must be correctly stacked and secured!

PERI Pallets (14) are suitable for lifting by a crane or forklift.

When using a crane, 4-sling lifting gear is used to move the pallets.

During fork-lift operations, the pallets can be moved either by a fork-lift truck or by using the PERI Lifting Trolley. All pallets can be lifted using the longitudinal as well as front sides.

Max. number of pallets in accordance with packaging guidelines.

## Storage



- Ensure slab props of the same size are stored and transported in one RP Pallet!

(Fig. A5.01)

- End plates of the inner tubes (5a) must lie within the end plates of the outer tubes (5b). In this way, the inner tube is prevented from sliding out.

(Fig. A5.01a)



PEP Ergo:

Length is stamped in [cm] (5c) on the outer side of the end plates. As a result, the max. prop length is clearly indicated at all times, also if the prop is in a horizontal position in the pallet.

(Fig. A5.01a)

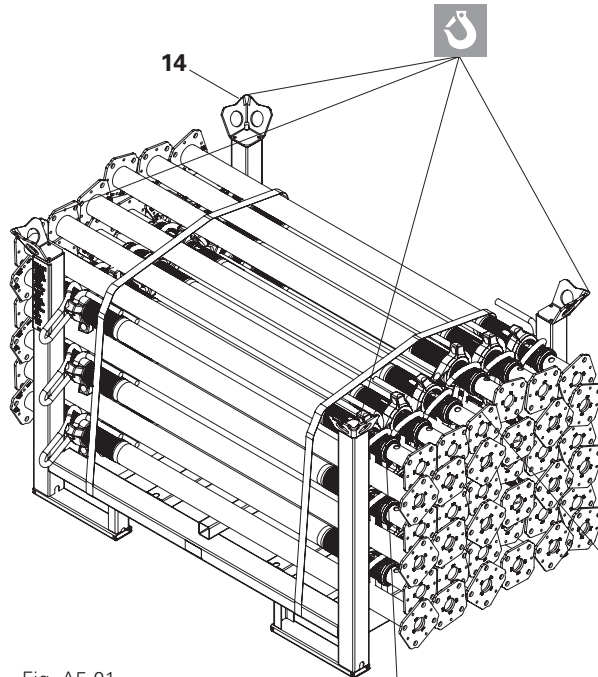


Fig. A5.01

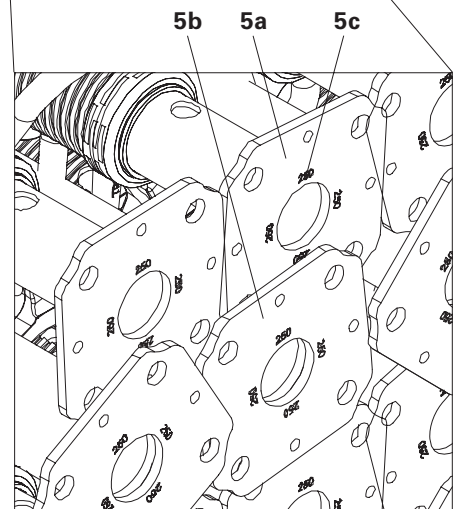


Fig. A5.01a

## Transportation



- **Ensure loads are correctly secured during transport!**
- **Use tension belts or steel bands.**

The number of pallets that can be transported depends on the respective national traffic regulations.

Permissible prop load [kN] according to approval				
Extension length [m]	PEP Ergo B-300 L = 1.97 – 3.00 m		PEP Ergo B-350 L = 2.25 – 3.50 m	
	Outer tube bottom	Inner tube bottom	Outer tube bottom	Inner tube bottom
2.00	30.8	30.8		
2.10	29.8	30.8		
2.20	27.0	30.8		
2.30	24.6	30.8	30.8	28.6
2.40	23.0	30.8	28.6	28.6
2.50	21.5	30.8	25.5	28.6
2.60	20.3	29.5	23.1	28.4
2.70	19.3	27.5	21.3	28.0
2.80	18.3	24.8	19.8	27.4
2.90	16.9	22.3	18.6	26.1
3.00	15.6	20.2	17.5	24.4
3.10			16.3	22.8
3.20			15.2	20.8
3.30			14.3	19.0
3.40			13.2	17.4
3.50			12.4	15.7
3.60				
3.70				
3.80				
3.90				
4.00				

**Note:**

- PERI PEP Ergo B-300 and PEP Ergo B-350 Props meet the load-bearing capacity requirements of Prop Class B as stipulated in DIN EN 1065.
- General Building Inspectorate Approval Z-8.311-934 issued by the German Institute for Building Technology (DIBt).



Permissible prop load [kN]				
Total length [m] (Extension length + 50 cm)	PEP Ergo B-300 with MP 50		PEP Ergo B-350 with MP 50	
	Outer tube bottom	Inner tube bottom	Outer tube bottom	Inner tube bottom
2.00				
2.10				
2.20				
2.30				
2.40				
2.50	30.8	30.8		
2.60	29.3	30.8		
2.70	26.3	30.8		
2.80	23.8	30.8	30.8	30.5
2.90	21.8	30.8	28.1	30.2
3.00	20.4	28.3	25.0	29.6
3.10	19.2	25.1	22.4	28.9
3.20	18.1	22.5	20.6	27.5
3.30	16.9	20.4	19.0	25.0
3.40	15.6	18.6	17.7	22.6
3.50	14.3	16.9	16.5	20.5
3.60			15.2	18.7
3.70			14.1	16.9
3.80			13.1	15.0
3.90			12.2	13.4
4.00			11.2	11.9

Permissible prop load [kN] according to approval												
Extension length [m]	PEP Ergo D-150 L = 0.98 – 1.50 m		PEP Ergo D-250 L = 1.47 – 2.50 m		PEP Ergo D-300 + L = 1.79 – 3.00 m		PEP Ergo D-350 + L = 2.08 – 3.50 m		PEP Ergo D-400 L = 2.51 – 4.00 m		PEP Ergo D-500 L = 3.26 – 5.00 m	
	Outer tube bottom	Inner tube bottom	Outer tube bottom	Inner tube bottom	Outer tube bottom	Inner tube bottom	Outer tube bottom	Inner tube bottom	Outer tube bottom	Inner tube bottom	Outer tube bottom	Inner tube bottom
1.00	30.8	30.8										
1.10	30.8	30.8										
1.20	30.8	30.8										
1.30	30.8	30.8										
1.40	28.5	30.8										
1.50	26.4	30.8	35.0	35.0								
1.60			35.0	35.0								
1.70			32.9	35.0								
1.80			30.7	35.0	35.0	35.0						
1.90			29.1	35.0	35.0	35.0						
2.00			28.1	35.0	35.0	35.0						
2.10			27.3	35.0	35.0	35.0	40.0	40.0				
2.20			26.5	34.1	35.0	35.0	40.0	40.0				
2.30			25.7	32.3	33.4	35.0	40.0	40.0				
2.40			24.3	29.4	31.7	34.0	39.7	40.0				
2.50			22.4	26.3	30.1	32.7	36.9	40.0				
2.60					28.3	31.3	34.7	40.0				
2.70					26.2	29.1	32.9	40.0	40.0	40.0		
2.80					24.3	26.9	31.6	40.0	40.0	40.0		
2.90					22.4	24.9	30.3	40.0	40.0	40.0		
3.00					20.6	22.8	29.2	39.1	40.0	40.0		
3.10							27.2	35.4	37.7	40.0		
3.20							25.4	32.1	35.7	40.0		
3.30							23.7	29.4	33.9	40.0	40.0	40.0
3.40							22.1	27.0	32.5	40.0	40.0	40.0
3.50							20.7	24.7	31.0	39.7	40.0	40.0
3.60									29.0	36.4	40.0	40.0
3.70									27.0	33.3	40.0	40.0
3.80									25.2	30.7	40.0	40.0
3.90									23.5	28.2	40.0	40.0
4.00									21.8	26.0	40.0	40.0
4.10											39.3	40.0
4.20											36.5	40.0
4.30											34.0	39.2
4.40											31.8	37.0
4.50											29.9	34.6
4.60											28.1	32.4
4.70											26.4	30.4
4.80											24.8	28.5
4.90											23.4	26.8
5.00											21.8	25.3
5.10												
5.20												
5.30												
5.40												
5.50												

**Note:**

- PERI PEP Ergo D-150, PEP Ergo D-250, PEP Ergo D-300 +, PEP Ergo D-350 +, PEP Ergo D-400 and PEP Ergo D-500 Props fulfil the Prop Class D load-bearing capacity requirements of DIN EN 1065.
- In addition, Prop PEP Ergo D-250 fulfils the Prop Class B requirements as stipulated in DIN EN 1065.
- General Building Inspectorate Approval Z-8.311-934 for PERI PEP Ergo D-150 and PEP Ergo D-250 and PEP Ergo D-300 +.
- General Building Inspectorate Approval Z-8.311-941 for PERI PEP Ergo D-350 +, PEP Ergo D-400 and PEP Ergo D-500.

# PEP Ergo D with Base MP 50



Permissible prop load [kN]										
Total length [m] (Extension length + 50 cm)	PEP Ergo D-250 with MP 50		PEP Ergo D-300 + with MP 50		PEP Ergo D-350 + with MP 50		PEP Ergo D-400 with MP 50		PEP Ergo D-500 with MP 50	
	Outer tube bottom	Inner tube bottom	Outer tube bottom	Inner tube bottom	Outer tube bottom	Inner tube bottom	Outer tube bottom	Inner tube bottom	Outer tube bottom	Inner tube bottom
1.00										
1.10										
1.20										
1.30										
1.40										
1.50										
1.60										
1.70										
1.80										
1.90										
2.00	36.4	37.9								
2.10	35.2	37.9								
2.20	31.9	37.9								
2.30	29.3	37.9	35.0	35.0						
2.40	27.6	37.9	35.0	35.0						
2.50	26.2	36.0	35.0	35.0						
2.60	25.1	33.8	35.0	35.0	40.0	40.0				
2.70	24.2	30.3	34.3	35.0	40.0	40.0				
2.80	23.3	27.0	31.8	33.9	40.0	40.0				
2.90	21.7	24.3	30.0	32.4	38.6	40.0				
3.00	19.8	21.9	27.6	30.3	35.6	40.0				
3.10			25.2	27.4	33.2	40.0	40.0	40.0		
3.20			23.2	25.0	31.2	40.0	40.0	40.0		
3.30			21.3	23.0	29.6	36.7	40.0	40.0		
3.40			19.7	21.1	28.2	33.1	40.0	40.0		
3.50			18.1	19.3	26.3	30.2	38.8	40.0		
3.60					24.4	27.7	36.0	40.0		
3.70					22.7	25.5	34.0	40.0		
3.80					21.2	23.6	32.0	36.9	40.0	40.0
3.90					19.7	21.8	30.1	33.6	40.0	40.0
4.00					18.2	20.2	27.9	30.9	40.0	40.0
4.10							25.9	28.7	40.0	40.0
4.20							24.1	26.6	40.0	40.0
4.30							22.5	24.7	40.0	40.0
4.40							21.0	22.9	39.8	40.0
4.50							19.5	21.3	36.9	38.7
4.60									34.4	36.0
4.70									32.1	33.7
4.80									30.0	31.6
4.90									28.1	29.7
5.00									26.5	28.0
5.10									24.9	26.4
5.20									23.4	24.9
5.30									22.1	23.5
5.40									20.8	22.6
5.50									19.5	21.0

Permissible prop load [kN] according to approval						
Extension length [m]	PEP Ergo E-300 + L = 1.79 – 3.00 m		PEP Ergo E-350 + L = 2.08 – 3.50 m		PEP Ergo E-400 L = 2.51 – 4.00 m	
	Outer tube bottom	Inner tube bottom	Outer tube bottom	Inner tube bottom	Outer tube bottom	Inner tube bottom
1.80	50.4	50.4				
1.90	50.4	50.4				
2.00	50.4	50.4				
2.10	50.4	50.4	50.4	50.4		
2.20	50.4	50.4	50.4	50.4		
2.30	50.4	50.4	50.4	50.4		
2.40	47.3	50.4	50.4	50.4		
2.50	45.6	50.4	50.4	50.4		
2.60	44.5	50.4	50.4	50.4	50.4	50.4
2.70	43.3	50.4	48.5	50.4	50.4	50.4
2.80	41.8	50.4	46.4	50.4	50.4	50.4
2.90	40.3	48.0	44.5	50.4	50.4	50.4
3.00	37.5	43.0	43.0	50.4	50.4	50.4
3.10			41.5	50.4	50.4	50.4
3.20			38.7	46.1	50.4	50.4
3.30			36.0	41.9	50.4	50.4
3.40			33.3	38.2	50.4	50.4
3.50			30.9	34.9	48.5	50.4
3.60					46.0	50.4
3.70					42.7	48.4
3.80					39.7	44.7
3.90					36.9	41.1
4.00					34.1	37.7
4.10						
4.20						
4.30						
4.40						
4.50						

**Note:**

- PERI Props PERI PEP Ergo E-300 +, PEP Ergo E-350 + and PEP Ergo E-400 fulfil the Prop Class E load-bearing capacity requirements of DIN EN 1065.
- General Building Inspectorate Approval Z-8.311-941 of the German Institute for Building Technology (DIBt).

Permissible prop load [kN]						
Total length [m] (Extension length + 50 cm)	PEP Ergo E-300 + with MP 50		PEP Ergo E-350 + with MP 50		PEP Ergo E-400 with MP 50	
	Outer tube bottom	Inner tube bottom	Outer tube bottom	Inner tube bottom	Outer tube bottom	Inner tube bottom
1.80						
1.90						
2.00						
2.10						
2.20						
2.30	50.4	50.4				
2.40	50.4	50.4				
2.50	50.4	50.4				
2.60	50.4	50.4	50.4	50.4		
2.70	50.1	50.4	50.4	50.4		
2.80	47.0	50.4	50.4	50.4		
2.90	44.8	50.4	50.4	50.4		
3.00	43.0	50.4	50.4	50.4		
3.10	41.0	50.4	50.4	50.4	50.4	50.4
3.20	39.3	47.0	49.5	50.4	50.4	50.4
3.30	38.1	42.0	46.7	49.9	50.4	50.4
3.40	35.4	37.8	42.9	45.6	50.4	50.4
3.50	32.3	34.2	39.4	41.7	50.4	50.4
3.60			36.3	38.2	50.4	50.4
3.70			33.5	35.3	50.4	50.4
3.80			31.1	32.6	49.3	50.4
3.90			28.8	30.2	46.2	48.4
4.00			26.6	27.9	42.7	44.6
4.10					39.6	41.2
4.20					36.8	38.2
4.30					34.3	35.5
4.40					31.8	33.0
4.50					29.5	30.5

Permissible prop load [kN]				
Extension length [m]	PEP 10-250 A	PEP 10-300 A	PEP 10-350 A	PEP 10-400 A
	L = 1.47 – 2.50 m	L = 1.72 – 3.00 m	L = 1.97 – 3.50 m	L = 2.22 – 4.00 m
1.50	25.0			
1.60	25.0			
1.70	25.0			
1.80	23.1	25.0		
1.90	20.8	24.9		
2.00	18.8	22.5	25.0	
2.10	17.0	20.4	23.8	
2.20	15.5	18.6	21.7	
2.30	14.2	17.0	19.8	22.7
2.40	13.0	15.6	18.2	20.8
2.50	12.0	14.4	16.8	19.2
2.60		13.3	15.5	17.8
2.70		12.3	14.4	16.5
2.80		11.5	13.4	15.3
2.90		10.7	12.5	14.3
3.00		10.0	11.7	13.3
3.10			10.9	12.5
3.20			10.3	11.7
3.30			9.6	11.0
3.40			9.1	10.4
3.50			8.6	9.8
3.60				9.3
3.70				8.8
3.80				8.3
3.90				7.9
4.00				7.5

**Note:**

- PERI PEP 10-250 A, PEP 10-300 A, PEP 10-350 A and PEP 10-400 A Props fulfil Prop Class A load-bearing capacity requirements of DIN EN 1065.
- The permissible values are valid when using the bottom outer and inner tubes.



## Permissible prop load [kN] according to the type test

Extension length [m]	PEP 20 N 260* L = 1,51 – 2,60 m		PEP 20-300 L = 1.71 – 3.00 m		PEP 20-350 L = 1.96 – 3.50 m		PEP 20-400 L = 2.21 – 4.00 m		PEP 20-500 L = 2.71 – 5.00 m	
	Outer tube bottom	Inner tube bottom	Outer tube bottom	Inner tube bottom	Outer tube bottom	Inner tube bottom	Outer tube bottom	Inner tube bottom	Outer tube bottom	Inner tube bottom
1.60	35.0	35.0								
1.70	35.0	35.0								
1.80	35.0	35.0	36.4	36.4						
1.90	35.0	35.0	36.4	36.4						
2.00	33.5	35.0	36.1	36.4	36.4	36.4				
2.10	31.9	35.0	33.2	36.4	36.4	36.4				
2.20	30.9	35.0	31.4	36.4	36.4	36.4				
2.30	29.8	35.0	29.9	36.4	36.4	36.4	36.4	36.4		
2.40	28.6	35.0	28.7	36.4	36.4	36.4	36.4	36.4		
2.50	27.1	32.9	27.7	36.4	36.4	36.4	36.4	36.4		
2.60	24.8	29.4	26.9	36.3	34.8	36.4	36.4	36.4		
2.70			25.7	32.7	33.4	36.4	36.4	36.4		
2.80			24.0	29.3	32.1	36.4	36.4	36.4	36.4	36.4
2.90			22.3	26.5	31.1	36.4	36.4	36.4	36.4	36.4
3.00			20.5	23.9	30.1	36.4	36.4	36.4	36.4	36.4
3.10					28.3	35.7	34.6	36.4	36.4	36.4
3.20					26.5	32.5	33.5	36.4	36.4	36.4
3.30					24.8	29.7	32.1	36.4	36.4	36.4
3.40					23.1	27.2	30.5	36.4	36.4	36.4
3.50					21.3	24.8	28.7	34.9	36.4	36.4
3.60							26.9	32.1	36.4	36.4
3.70							25.3	29.8	36.4	36.4
3.80							23.7	27.6	36.4	36.4
3.90							22.3	25.5	36.4	36.4
4.00							20.7	23.5	35.3	36.4
4.10									33.3	36.4
4.20									31.5	36.4
4.30									29.8	35.0
4.40									28.2	32.9
4.50									26.8	30.8
4.60									25.3	28.9
4.70									24.1	27.2
4.80									22.8	25.7
4.90									21.5	24.1
5.00									20.3	22.1
5.10										
5.20										
5.30										
5.40										
5.50										

All PEP 20 Props correspond to Class D of DIN EN 1065, i. e. the permissible prop load for all extension lengths is a minimum of 20 kN.

When using PERI Slab Tables, the permissible load for all PEP 20 Props is a minimum of 30 kN over the entire extension lengths due to the clamping in the Table Swivel Head or UNIPORTAL Head.

\*For the N Props, the inner tube at the bottom can only be used in connection with PERI Slab Tables or SKYDECK (bolted head).



Permissible prop load [kN] according to the type test										
Total length [m] (Extension length + 50 cm)	PEP 20 N 260* L = 1.51 – 2.60 m		PEP 20-300 L = 1.71 – 3.00 m		PEP 20-350 L = 1.96 – 3.50 m		PEP 20-400 L = 2.21 – 4.00 m		PEP 20-500 L = 2.71 – 5.00 m	
	Outer tube bottom	Inner tube bottom	Outer tube bottom	Inner tube bottom	Outer tube bottom	Inner tube bottom	Outer tube bottom	Inner tube bottom	Outer tube bottom	Inner tube bottom
1.60										
1.70										
1.80										
1.90										
2.00										
2.10	36.4	36.4								
2.20	36.4	36.4								
2.30	36.4	36.4	36.4	36.4						
2.40	34.2	36.4	36.4	36.4						
2.50	31.9	36.4	34.9	36.4	36.4	36.4				
2.60	30.4	36.4	31.8	36.4	36.4	36.4				
2.70	28.7	36.4	29.6	36.4	36.4	36.4				
2.80	27.3	34.7	27.8	36.4	36.4	36.4	36.4	36.4		
2.90	26.3	30.7	26.4	35.8	36.4	36.4	36.4	36.4		
3.00	24.5	27.5	25.2	32.1	35.0	36.4	36.4	36.4		
3.10	22.2	24.7	24.2	28.8	32.9	36.4	36.4	36.4		
3.20			23.1	26.3	31.1	36.4	36.4	36.4		
3.30			21.4	23.9	29.7	36.4	36.4	36.4	36.4	36.4
3.40			19.9	21.8	28.4	34.2	35.7	36.4	36.4	36.4
3.50			18.1	19.8	27.0	30.7	33.9	36.4	36.4	36.4
3.60					25.3	28.6	32.3	36.4	36.4	36.4
3.70					23.6	26.1	30.8	35.3	36.4	36.4
3.80					22.0	24.2	29.1	32.7	36.4	36.4
3.90					20.4	22.5	27.3	30.0	36.4	36.4
4.00					18.9	20.7	25.5	27.8	36.4	36.4
4.10							23.9	26.1	36.4	36.4
4.20							22.4	24.2	36.4	36.4
4.30							21.0	22.8	35.6	36.4
4.40							19.7	21.2	33.6	36.4
4.50							18.3	19.7	31.6	34.2
4.60									29.3	32.1
4.70									28.0	30.0
4.80									26.5	28.4
4.90									25.1	26.8
5.00									23.8	25.4
5.10									22.6	24.0
5.20									21.4	22.7
5.30									20.3	21.6
5.40									19.1	20.4
5.50									18.1	19.1

\*For the N Props, the inner tube at the bottom can only be used in connection with PERI Slab Tables or SKYDECK (bolted head).

Permissible prop load [kN] according to the type test										
Extension length [m]	PEP 30-150 L = 0.96 – 1.50 m		PEP 30-250 L = 1.46 – 2.50 m		PEP 30-300 L = 1.71 – 3.00 m		PEP 30-350 L = 1.96 – 3.50 m		PEP 30-400 L = 2.21 – 4.00 m	
	Outer tube bottom	Inner tube bottom	Outer tube bottom	Inner tube bottom	Outer tube bottom	Inner tube bottom	Outer tube bottom	Inner tube bottom	Outer tube bottom	Inner tube bottom
1.00	36.4	36.4								
1.10	36.4	36.4								
1.20	36.4	36.4								
1.30	35.9	36.4								
1.40	35.3	36.4								
1.50	34.5	36.4	42.9	42.9						
1.60			42.9	42.9						
1.70			42.9	42.9						
1.80			42.1	42.9	42.9	42.9				
1.90			39.7	42.9	42.9	42.9				
2.00			37.9	42.9	42.9	42.9	45.5	45.5		
2.10			36.4	42.9	42.9	42.9	45.5	45.5		
2.20			35.5	42.9	42.9	42.9	45.5	45.5		
2.30			34.3	41.5	42.9	42.9	45.5	45.5	41.5	41.5
2.40			33.1	38.7	42.7	42.9	45.5	45.5	41.5	41.5
2.50			31.0	35.9	41.1	42.9	45.5	45.5	41.5	41.5
2.60					40.0	42.9	45.5	45.5	41.5	41.5
2.70					38.5	42.9	45.5	45.5	41.5	41.5
2.80					36.9	41.6	45.5	45.5	41.5	41.5
2.90					34.2	38.3	45.0	45.5	41.5	41.5
3.00					31.3	34.8	43.6	45.5	41.5	41.5
3.10							41.4	44.2	41.5	41.5
3.20							38.7	42.1	41.5	41.5
3.30							36.1	38.7	41.5	41.5
3.40							33.3	35.7	41.5	41.5
3.50							30.7	32.5	41.5	41.5
3.60									41.5	41.5
3.70									41.3	41.5
3.80									38.5	41.3
3.90									35.9	38.1
4.00									33.2	34.9
4.10										
4.20										
4.30										
4.40										
4.50										

All PEP 30 Props correspond to Class E of DIN EN 1065, i. e. the permissible prop load for all extension lengths is a minimum of 30 kN.

When using PERI Slab Tables, the permissible load for all PEP 30 Props is a minimum of 40 kN (PEP 30-150 = 35 kN) over the entire extension lengths due to the clamping in the Table Swivel Head or UNIportal Head.

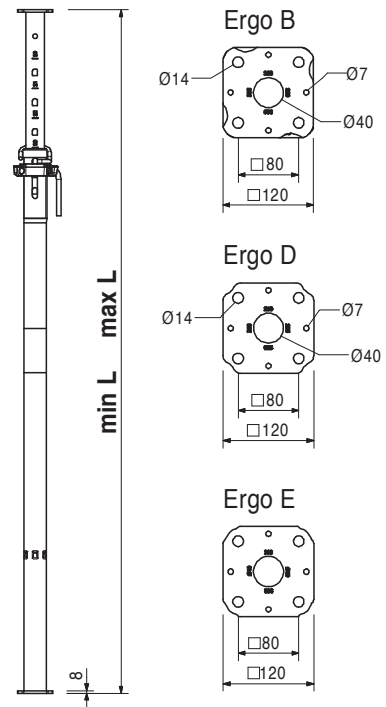
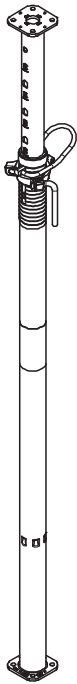
Permissible prop load [kN] according to the type test								
Total length [m] (Extension length + 50 cm)	PEP 30-250 L = 1.46 – 2.50 m		PEP 30-300 L = 1.71 – 3.00 m		PEP 30-350 L = 1.96 – 3.50 m		PEP 30-400 L = 2.21 – 4.00 m	
	Outer tube bottom	Inner tube bottom	Outer tube bottom	Inner tube bottom	Outer tube bottom	Inner tube bottom	Outer tube bottom	Inner tube bottom
1.00								
1.10								
1.20								
1.30								
1.40								
1.50								
1.60								
1.70								
1.80								
1.90								
2.00	42.9	42.9						
2.10	42.9	42.9						
2.20	42.9	42.9						
2.30	40.1	42.9	42.9	42.9				
2.40	37.2	42.9	42.9	42.9				
2.50	35.0	42.9	42.9	42.9	45.4	45.4		
2.60	33.2	42.3	42.9	42.9	45.4	45.4		
2.70	31.8	39.8	42.9	42.9	45.4	45.4		
2.80	30.6	36.4	41.6	42.9	45.4	45.4	41.5	41.5
2.90	28.4	32.3	39.5	42.9	45.4	45.4	41.5	41.5
3.00	26.7	28.5	37.6	42.5	45.4	45.4	41.5	41.5
3.10			36.2	41.2	45.4	45.4	41.5	41.5
3.20			33.9	37.9	45.1	45.4	41.5	41.5
3.30			32.1	34.2	43.0	45.4	41.5	41.5
3.40			29.4	31.2	40.0	43.0	41.5	41.5
3.50			26.9	27.9	38.2	40.9	41.5	41.5
3.60					35.8	37.6	41.5	41.5
3.70					33.4	34.5	41.5	41.5
3.80					30.9	31.8	41.5	41.5
3.90					28.6	29.6	41.5	41.5
4.00					26.3	27.1	40.6	41.5
4.10							37.8	39.1
4.20							35.3	36.2
4.30							33.0	33.9
4.40							30.8	31.4
4.50							28.4	29.0

Item no.	Weight kg		D	min. L	max. L
116780	14.000	<b>Slab Props PEP Ergo</b>			
		<b>Slab Prop PEP Ergo B-300</b>	Ø 60.6	1970	3000
116790	15.600	<b>Slab Prop PEP Ergo B-350</b>	Ø 60.6	2250	3500
117230	9.110	<b>Slab Prop PEP Ergo D-150</b>	Ø 60.6	980	1500
116770	13.100	<b>Slab Prop PEP Ergo D-250</b>	Ø 60.6	1470	2500
131360	15.900	<b>Slab Prop PEP Ergo D-300 +</b>	Ø 66.6	1790	3000
131111	19.200	<b>Slab Prop PEP Ergo D-350 +</b>	Ø 71.0	2080	3500
125140	22.900	<b>Slab Prop PEP Ergo D-400</b>	Ø 76.5	2510	4000
125150	30.400	<b>Slab Prop PEP Ergo D-500</b>	Ø 83.0	3260	5000
131104	19.300	<b>Slab Prop PEP Ergo E-300 +</b>	Ø 76.5	1790	3000
131085	21.700	<b>Slab Prop PEP Ergo E-350 +</b>	Ø 76.5	2080	3500
125170	26.600	<b>Slab Prop PEP Ergo E-400</b>	Ø 83.0	2510	4000

Slab prop made of steel.

**Note**

Permissible load: see PERI Design Tables.



# PEP Slab Props



Item no.	Weight kg
106434	10.100
106433	11.500
106432	13.400
106429	14.900

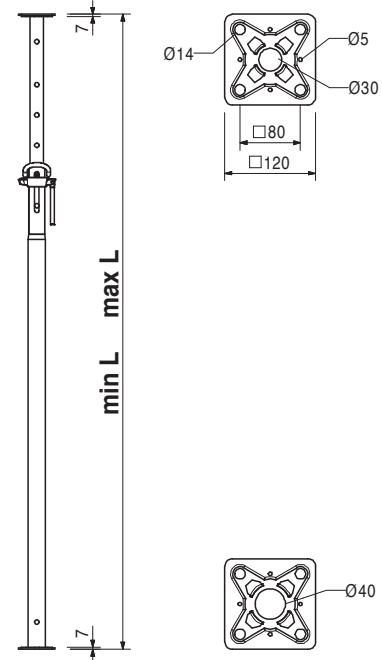
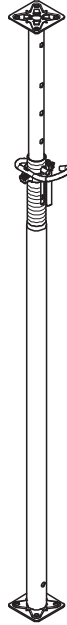
**Slab Props PEP 10, galv.**  
**Slab Prop PEP 10-250 A, galv.**  
**Slab Prop PEP 10-300 A, galv.**  
**Slab Prop PEP 10-350 A, galv.**  
**Slab Prop PEP 10-400 A, galv.**

Lightweight slab prop made of steel.

min. L	max. L
1470	2500
1720	3000
1970	3500
2220	4000

**Note**

Permissible load: see PERI Design Tables.



103058	16.100
103059	19.600
103060	22.900
103061	30.600

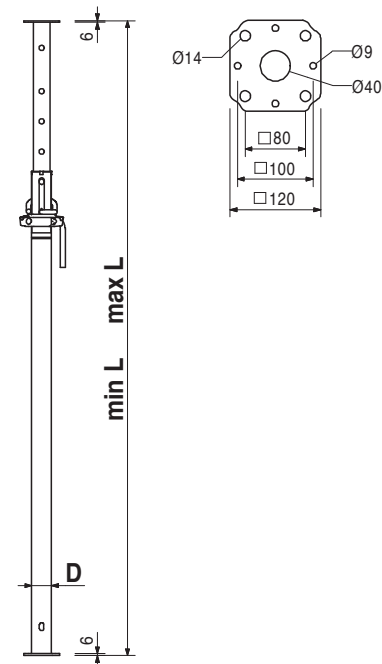
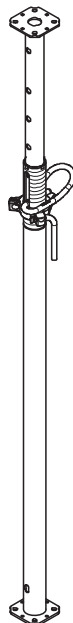
**Slab Props PEP 20, galv.**  
**Slab Prop PEP 20-300, galv.**  
**Slab Prop PEP 20-350, galv.**  
**Slab Prop PEP 20-400, galv.**  
**Slab Prop PEP 20-500, galv.**

Slab prop made of steel.

D	min. L	max. L
Ø 66.0	1710	3000
Ø 71.5	1960	3500
Ø 75.5	2210	4000
Ø 84.0	2710	5000

**Note**

Permissible load: see PERI Design Tables.



# PEP Slab Props



Item no. Weight kg

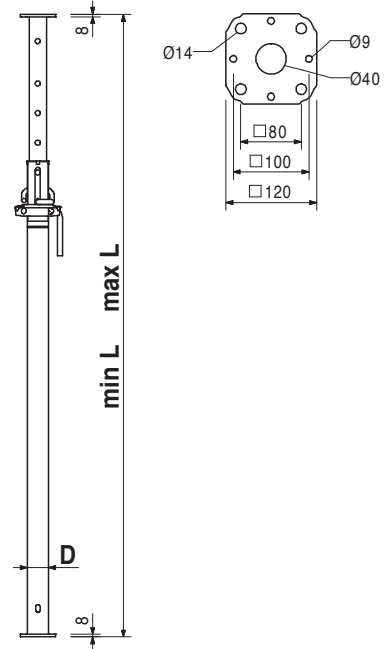
103066	10.800	<b>Slab Props PEP 30, galv.</b>
103067	15.400	<b>Slab Prop PEP 30-150, galv.</b>
103062	19.000	<b>Slab Prop PEP 30-250, galv.</b>
103063	23.100	<b>Slab Prop PEP 30-300, galv.</b>
103065	27.500	<b>Slab Prop PEP 30-350, galv.</b>
		<b>Slab Prop PEP 30-400, galv.</b>

Slab prop made of steel.

D	min. L	max. L
Ø 66.0	960	1500
Ø 66.0	1460	2500
Ø 71.5	1710	3000
Ø 75.5	1960	3500
Ø 84.0	2210	4000

**Note**

Permissible load: see PERI Design Tables.



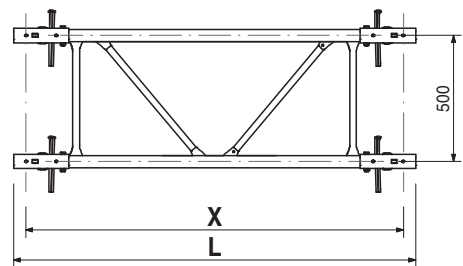
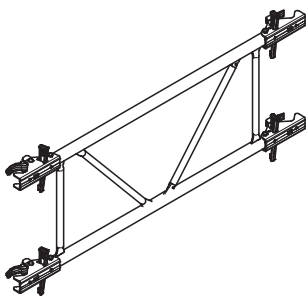
111811	13.700	<b>PEP Frames PRK, Steel</b>
111812	13.900	<b>PEP Frames PRK 62.5</b>
112813	15.900	<b>PEP Frames PRK 75</b>
112814	17.800	<b>PEP Frames PRK 100</b>
111813	19.200	<b>PEP Frames PRK 120</b>
111814	20.100	<b>PEP Frames PRK 137.5</b>
		<b>PEP Frames PRK 150</b>

Stiffening frame for PEP slab props. Complete with captive wedge coupling.

L	X
723	625
848	750
1098	1000
1298	1200
1473	1375
1598	1500

**Note**

L = Loading Length  
X = Axis Length



# PEP Slab Props

Item no.	Weight kg
112718	15.300
111815	15.400
112788	15.600
111816	16.100
111817	16.300
111818	17.700
111819	18.700

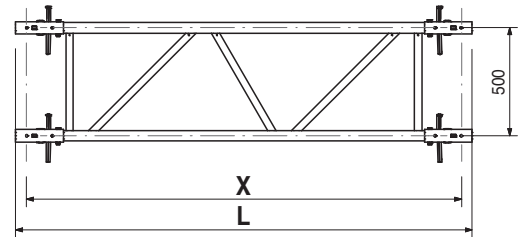
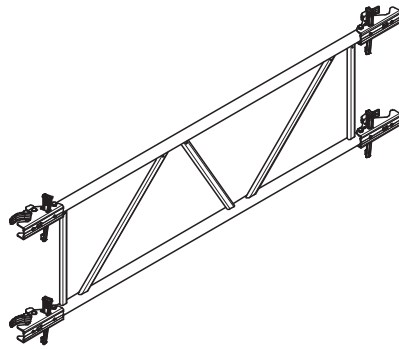
- PEP Frames PRK**
- PEP Frames PRK 200**
- PEP Frames PRK 201.5**
- PEP Frames PRK 210**
- PEP Frames PRK 225**
- PEP Frames PRK 230**
- PEP Frames PRK 266**
- PEP Frames PRK 296**

Stiffening frame for PEP slab props. Complete with captive wedge coupling.

L	X
2098	2000
2113	2015
2198	2100
2348	2250
2398	2300
2758	2660
3058	2960

**Note**

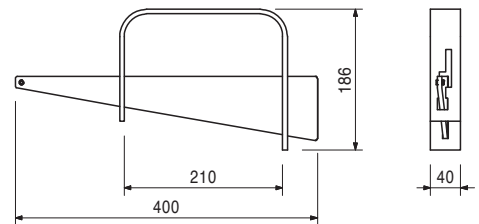
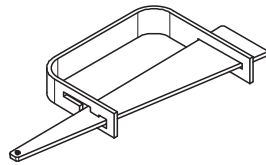
L = Loading Length  
X = Axis Length



027940	1.840
--------	-------

**Brace Clamp, galv., 48 – 76 mm**

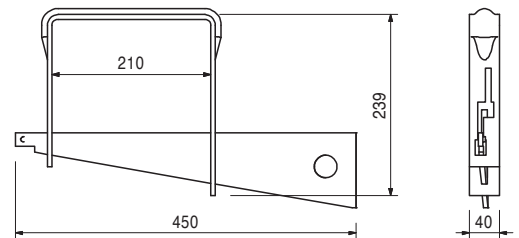
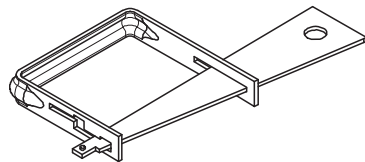
For assembly of 3 x 15 cm stiffening boards at slab props Ø 48 – 76 mm.



027790	2.460
--------	-------

**Brace Clamp HL, galv., 76 – 120 mm**

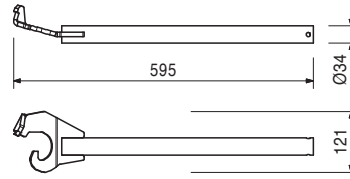
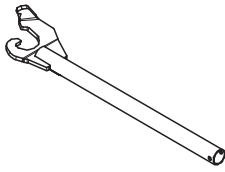
For assembly of 3 x 15 cm stiffening boards at slab props Ø 76 – 89 mm and 100 x 100 mm to 120 x 120 mm.



Item no.	Weight kg
118345	1.500

### Wing Nut Spanner PEP

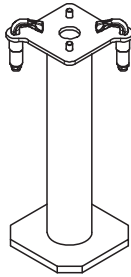
Allows effortless loosening of the adjusting nut with maximum loaded props.



027310	8.900
--------	-------

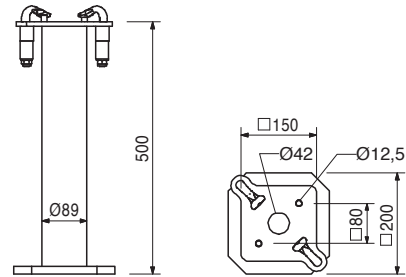
### Base MP 50

For use with slab props with an end plate thickness of 6 – 10 mm. With clamped quick-release fastener.



### Note

Permissible load: see PERI Design Tables.



103434	38.500
103429	45.300

### Pallets RP-2, galv.

#### Pallet RP-2 80 x 120, galv.

#### Pallet RP-2 80 x 150, galv.

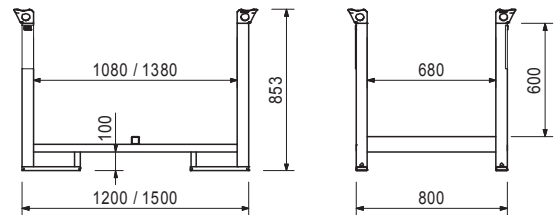
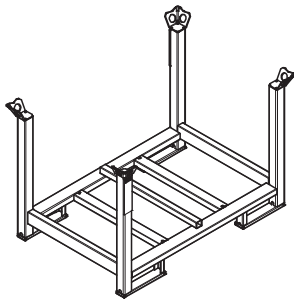
For stacking and transportation of formwork and scaffolding components.

### Note

Follow Instructions for Use!

### Technical Data

Permissible load-bearing capacity 1.5 t.



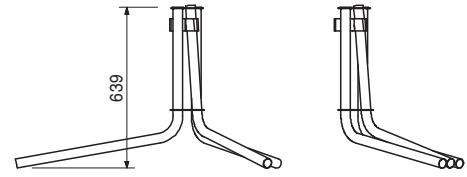
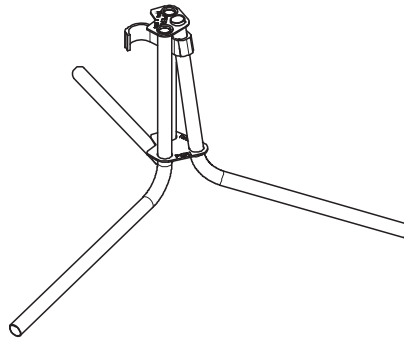


# PEP Slab Props

Item no.	Weight kg
107152	5.810

**Tripod PEP Ergo, galv.**  
Erection aid for PEP Ergo Slab Props with  $\varnothing$  44 – 64 mm.

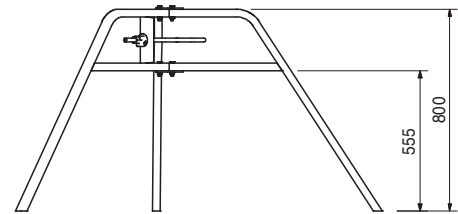
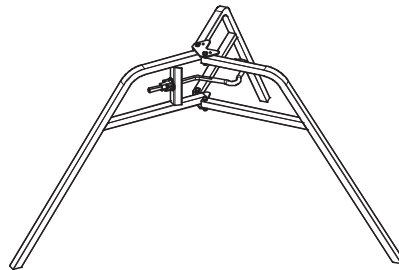
**Note**  
Only use as erection aid!



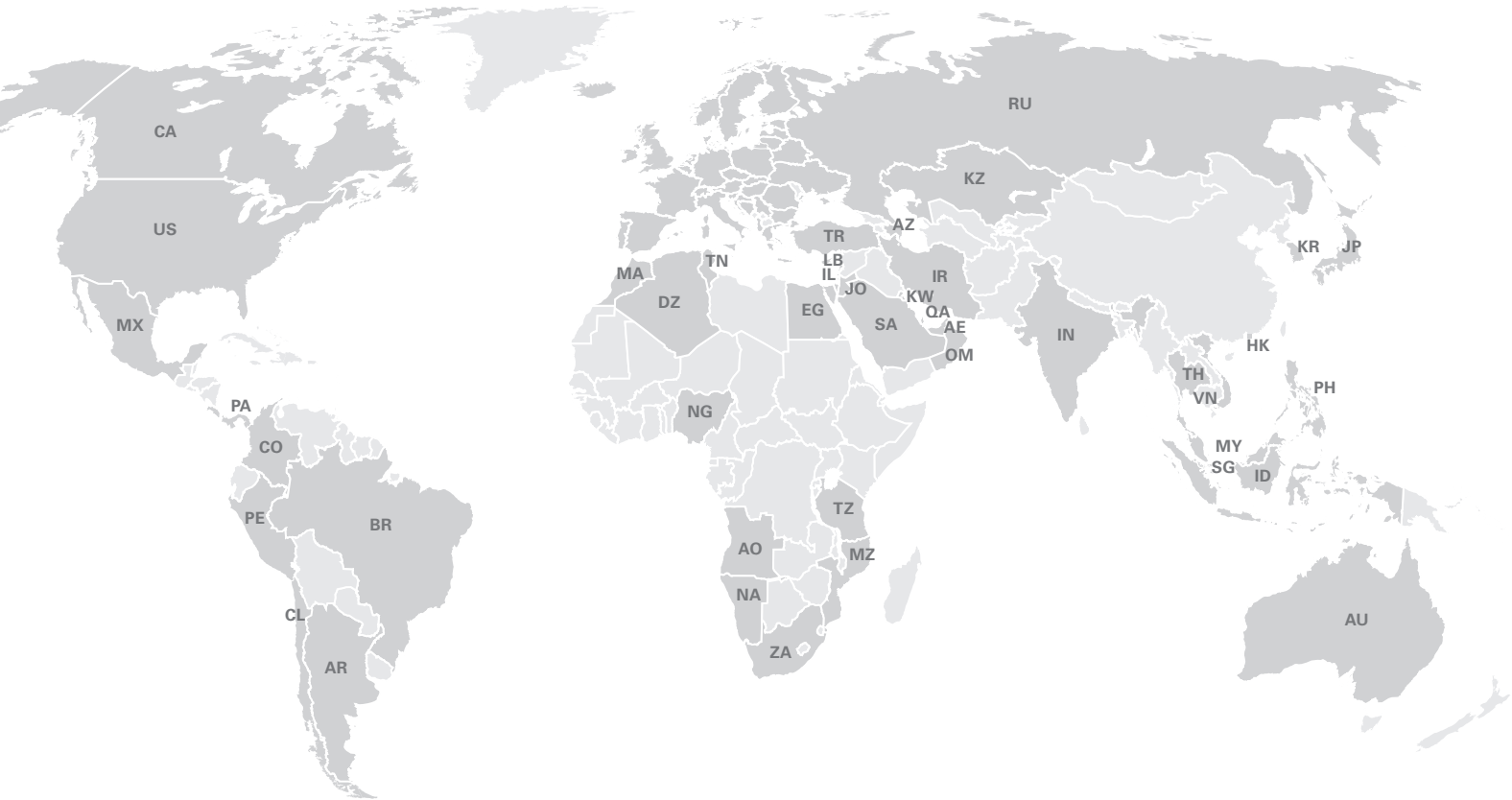
028000	9.190
--------	-------

**Universal Tripod, galv.**  
Erection aid for slab props with  $\varnothing$  57 – 120 mm and 120 x 120 mm. Can also be used in combination with MULTIPROP MP Slab Props and all slab props with Base MP 50.

**Note**  
Only use as erection aid!



# PERI International



## North America

- CA** Canada  
PERI Formwork Systems, Inc.  
[www.peri.ca](http://www.peri.ca)
- MX** Mexico  
PERI Cimbras y Andamios, S.A. de C.V.  
[www.peri.com.mx](http://www.peri.com.mx)
- PA** Panama  
PERI Panama Inc.  
[www.peri.com.pa](http://www.peri.com.pa)
- US** USA  
PERI Formwork Systems, Inc.  
[www.peri-usa.com](http://www.peri-usa.com)

## South America

- AR** Argentina  
PERI S.A.  
[www.peri.com.ar](http://www.peri.com.ar)
- BR** Brazil  
PERI Formas e Escoramentos Ltda.  
[www.peribrasil.com.br](http://www.peribrasil.com.br)
- CL** Chile  
PERI Chile Ltda.  
[www.peri.cl](http://www.peri.cl)
- CO** Colombia  
PERI S.A.S.  
[www.peri.com.co](http://www.peri.com.co)
- PE** Peru  
PERI Peruana S.A.C.  
[www.peri.com.pe](http://www.peri.com.pe)

## Africa

- AO** Angola  
Pericofragens, Lda.  
[www.peri.pt](http://www.peri.pt)
- DZ** Algeria  
S.A.R.L. PERI  
[www.peri.dz](http://www.peri.dz)
- EG** Egypt  
Egypt Branch Office  
[www.peri.com.eg](http://www.peri.com.eg)
- MA** Morocco  
PERI S.A.  
[www.peri.ma](http://www.peri.ma)
- MZ** Mozambique  
PERI (Pty.) Ltd.  
[www.peri.co.mz](http://www.peri.co.mz)
- NA** Namibia  
PERI (Pty.) Ltd.  
[www.peri.na](http://www.peri.na)
- NG** Nigeria  
PERI Nigeria Ltd.  
[www.peri.ng](http://www.peri.ng)
- TN** Tunisia  
PERI S.A.U.  
[www.peri.es](http://www.peri.es)
- TZ** Tanzania  
PERI Formwork and Scaffolding Ltd  
[www.peri.co.tz](http://www.peri.co.tz)
- ZA** South Africa  
PERI Formwork Scaffolding (Pty) Ltd  
[www.peri.co.za](http://www.peri.co.za)

## Asia

- AE** United Arab Emirates  
PERI (L.L.C.)  
[www.peri.ae](http://www.peri.ae)
- AZ** Azerbaijan  
PERI Representative Office  
[www.peri.com.tr](http://www.peri.com.tr)
- HK** Hong Kong  
PERI (Hong Kong) Limited  
[www.perihk.com](http://www.perihk.com)
- ID** Indonesia  
PT Beton Perkasa Wijaksana  
[www.betonperkasa.com](http://www.betonperkasa.com)
- IL** Israel  
PERI F.E. Ltd.  
[www.peri.co.il](http://www.peri.co.il)
- IN** India  
PERI (India) Pvt Ltd  
[www.peri.in](http://www.peri.in)
- IR** Iran  
PERI Pars. Ltd.  
[www.peri.ir](http://www.peri.ir)
- JO** Jordan  
PERI GmbH – Jordan  
[www.peri.com](http://www.peri.com)
- JP** Japan  
PERI Japan K.K.  
[www.peri.co.jp](http://www.peri.co.jp)
- KR** Korea  
PERI (Korea) Ltd.  
[www.perikorea.com](http://www.perikorea.com)
- KW** Kuwait  
PERI Kuwait W.L.L.  
[www.peri.com.kw](http://www.peri.com.kw)
- KZ** Kazakhstan  
TOO PERI Kazakhstan  
[www.peri.kz](http://www.peri.kz)
- LB** Lebanon  
PERI Lebanon Sarl  
[lebanon@peri.de](mailto:lebanon@peri.de)
- MY** Malaysia  
PERI Formwork Malaysia Sdn. Bhd.  
[www.perimalaysia.com](http://www.perimalaysia.com)
- OM** Oman  
PERI (L.L.C.)  
[www.peri.ae](http://www.peri.ae)
- PH** Philippines  
PERI-Asia Philippines, INC.  
[www.peri.com.ph](http://www.peri.com.ph)
- QA** Qatar  
PERI Qatar LLC  
[www.peri.qa](http://www.peri.qa)
- SA** Saudi Arabia  
PERI Saudi Arabia Ltd.  
[www.peri.com.sa](http://www.peri.com.sa)
- SG** Singapore  
PERI Asia Pte Ltd  
[www.periasia.com](http://www.periasia.com)
- TH** Thailand  
Peri (Thailand) Co., Ltd.  
[www.peri.co.th](http://www.peri.co.th)
- TR** Turkey  
PERI Kalıp ve İskeleleri  
[www.peri.com.tr](http://www.peri.com.tr)
- VN** Vietnam  
PERI ASIA PTE LTD  
[www.peri.com.vn](http://www.peri.com.vn)



**PERI**

**PERI GmbH  
Formwork Scaffolding Engineering**

Rudolf-Diesel-Strasse 19  
89264 Weissenhorn  
Germany  
Tel. +49 (0)7309.950-0  
Fax +49 (0)7309.951-0  
info@peri.com  
www.peri.com

**Oceania**

**AU** Australia  
PERI Australia Pty. Ltd.  
www.periaus.com.au

**DK** Denmark  
PERI Danmark A/S  
www.peri.dk

**IT** Italy  
PERI S.r.l.  
www.peri.it

**SE** Sweden  
PERI Sverige AB  
www.peri.se

**Europe**

**EE** Estonia  
PERI AS  
www.peri.ee

**LT** Lithuania  
PERI UAB  
www.peri.lt

**SI** Slovenia  
PERI oplate i skele d.o.o  
www.peri.com.hr

**AL** Albania  
PERI Kalıp ve İskeleleri  
www.peri.com.tr

**ES** Spain  
PERI S.A.U.  
www.peri.es

**LU** Luxembourg  
N.V. PERI S.A.  
www.peri.lu

**SK** Slovakia  
PERI spol. s. r.o.  
www.peri.sk

**AT** Austria  
PERI Ges.mbh  
www.peri.at

**FI** Finland  
PERI Suomi Ltd. Oy  
www.perisuomi.fi

**LV** Latvia  
PERI SIA  
www.peri-latvija.lv

**UA** Ukraine  
TOW PERI  
www.peri.ua

**BA** Bosnia and Herzegovina  
PERI oplate i skele d.o.o  
www.peri.com.hr

**FR** France  
PERI S.A.S.  
www.peri.fr

**NL** Netherlands  
PERI b.v.  
www.peri.nl

**BE** Belgium  
PERI N.V.  
www.peri.be

**GB** United Kingdom  
PERI Ltd.  
www.peri.ltd.uk

**NO** Norway  
PERI Norge AS  
www.peri.no

**BG** Bulgaria  
PERI Bulgaria EOOD  
www.peri.bg

**GR** Greece  
PERI Hellas Ltd.  
www.perihellas.gr

**PL** Poland  
PERI Polska Sp. z o.o.  
www.peri.com.pl

**BY** Belorussia  
IOOO PERI  
www.peri.by

**HR** Croatia  
PERI oplate i skele d.o.o.  
www.peri.com.hr

**PT** Portugal  
Pericofragens Lda.  
www.peri.pt

**CH** Switzerland  
PERI AG  
www.peri.ch

**HU** Hungary  
PERI Kft.  
www.peri.hu

**RO** Romania  
PERI România SRL  
www.peri.ro

**CZ** Czech Republic  
PERI spol. s r.o.  
www.peri.cz

**IR** Ireland  
Siteserv Access & Formwork  
www.siteservaccess.ie

**RS** Serbia  
PERI oplate d.o.o.  
www.peri.rs

**DE** Germany  
PERI GmbH  
www.peri.de

**IS** Iceland  
Armar ehf.  
www.armor.is

**RU** Russia  
OOO PERI  
www.peri.ru

**The optimal System  
for every Project and  
every Requirement**



**Wall Formwork**



**Column Formwork**



**Slab Formwork**



**Climbing Systems**



**Bridge Formwork**



**Tunnel Formwork**



**Shoring Systems**



**Construction Scaffold**



**Facade Scaffold**



**Industrial Scaffold**



**Access**



**Protection Scaffold**



**Safety Systems**



**System-Independent Accessories**



**Services**



**PERI GmbH**  
**Formwork Scaffolding Engineering**  
 Rudolf-Diesel-Strasse 19  
 89264 Weissenhorn  
 Germany  
 Tel. +49 (0)7309.950-0  
 Fax +49 (0)7309.951-0  
 info@peri.com  
 www.peri.com