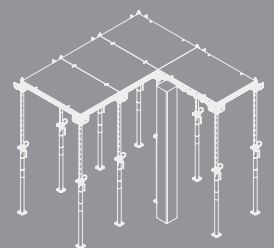
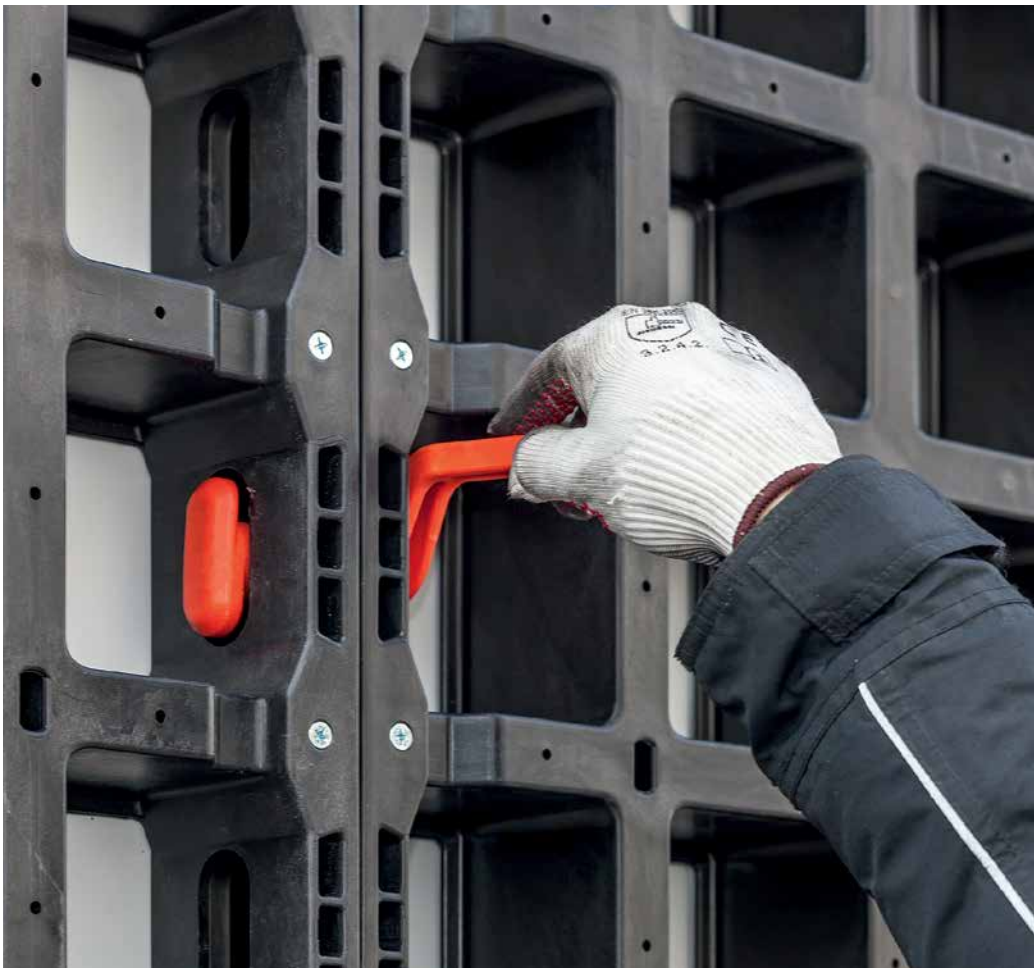
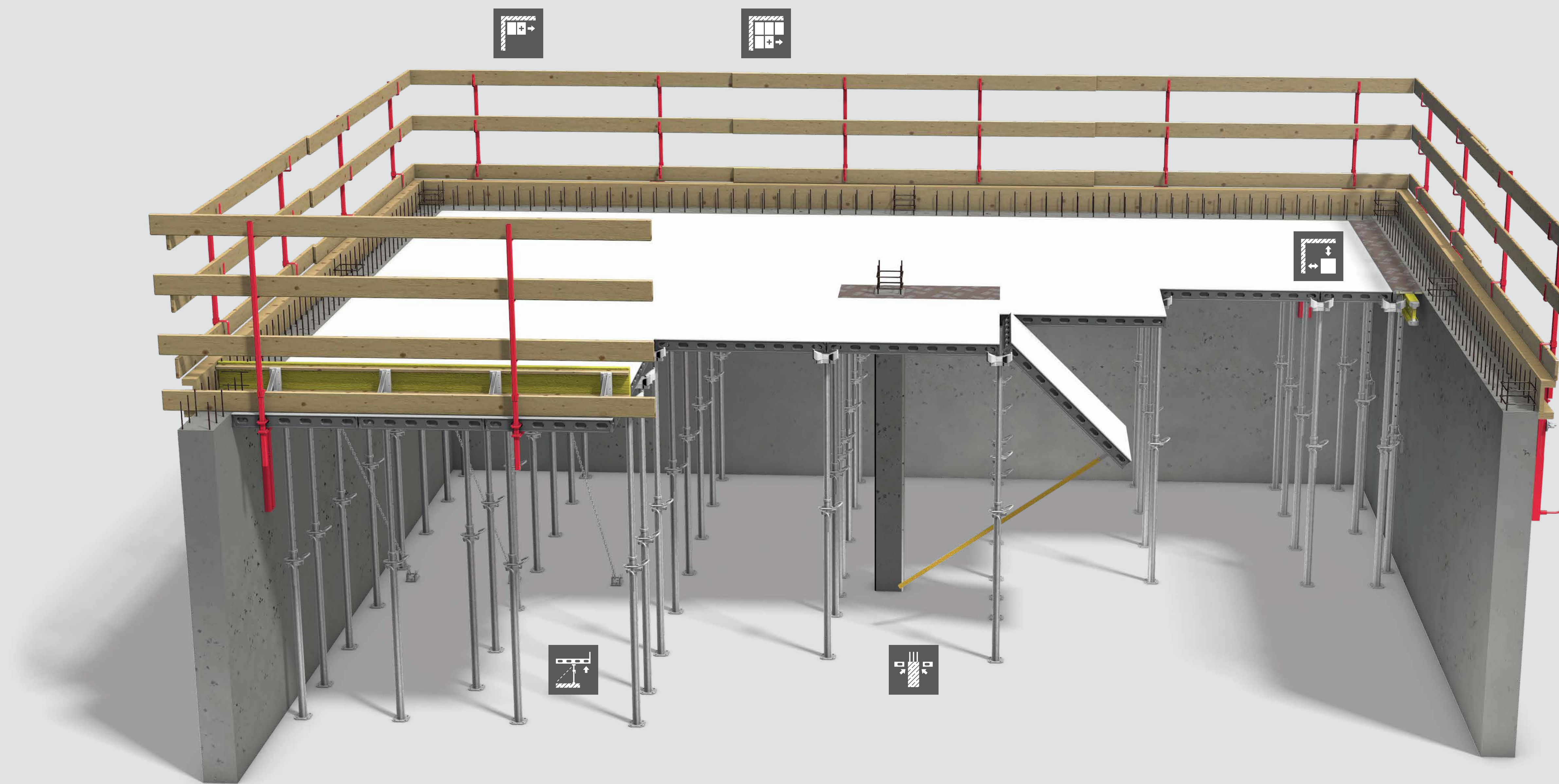
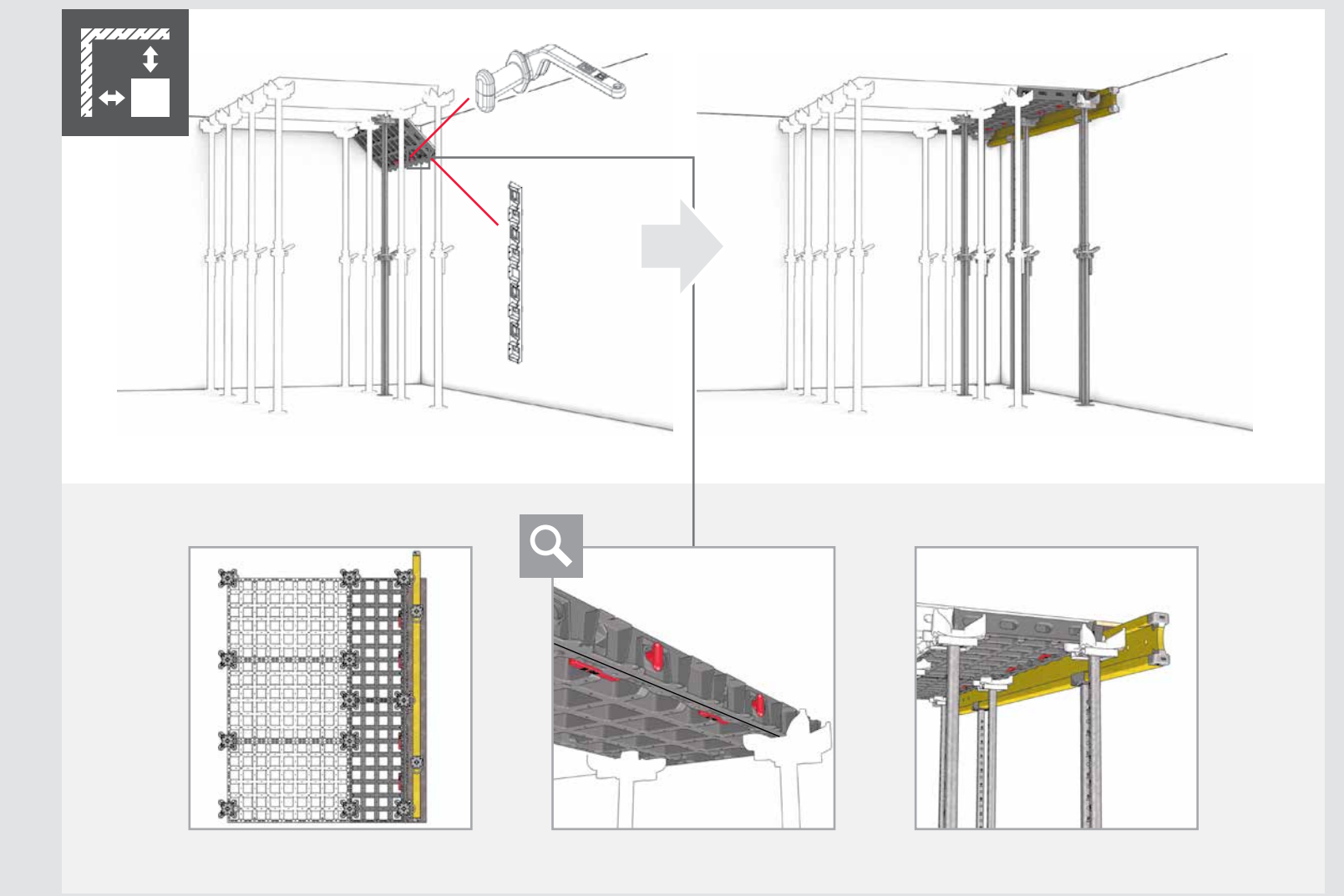
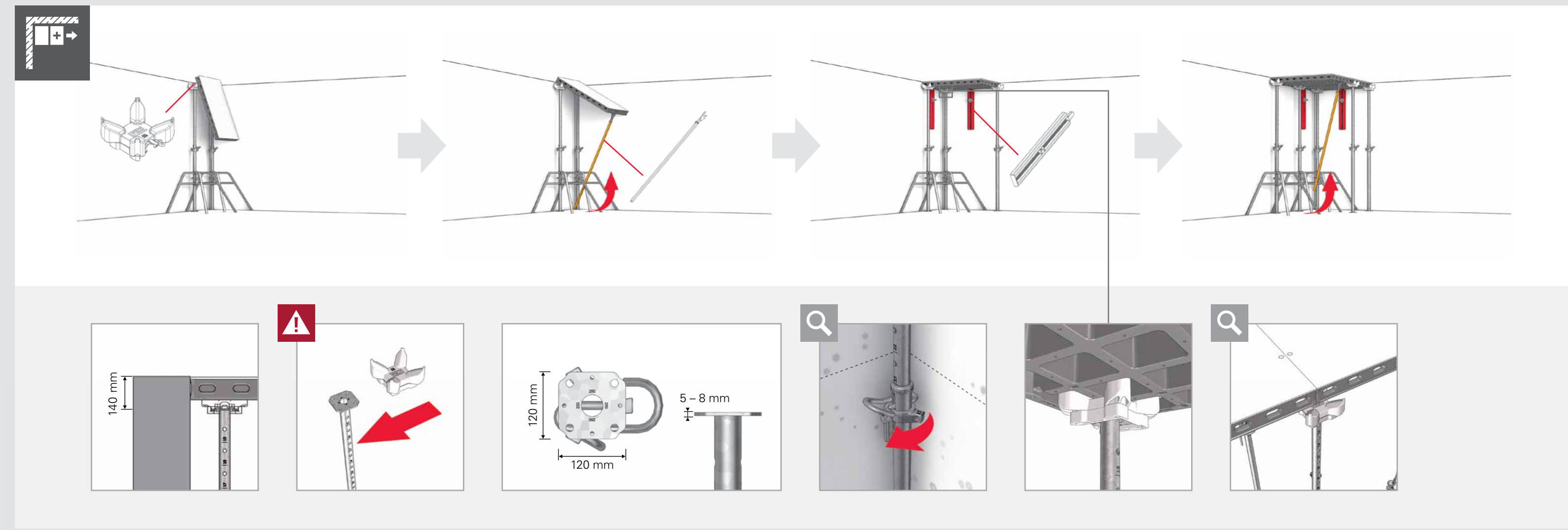
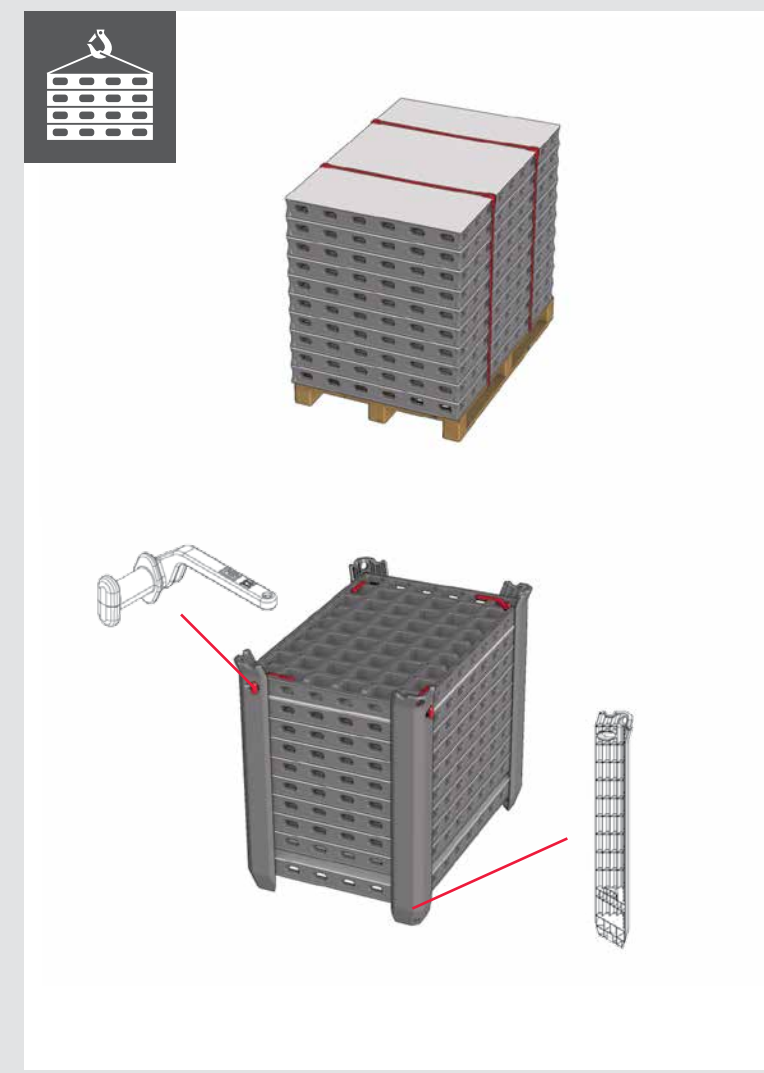


DUO

As Slab Formwork

Visual User's Guide





1

2

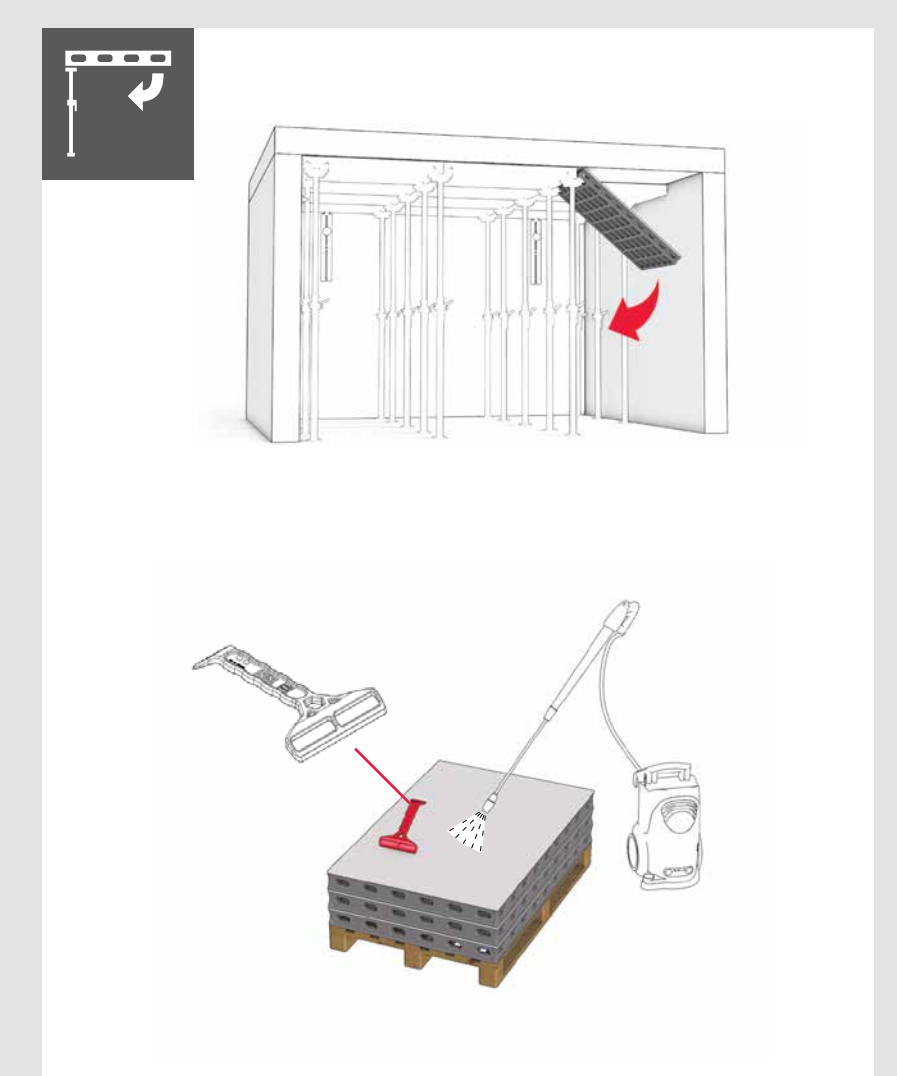
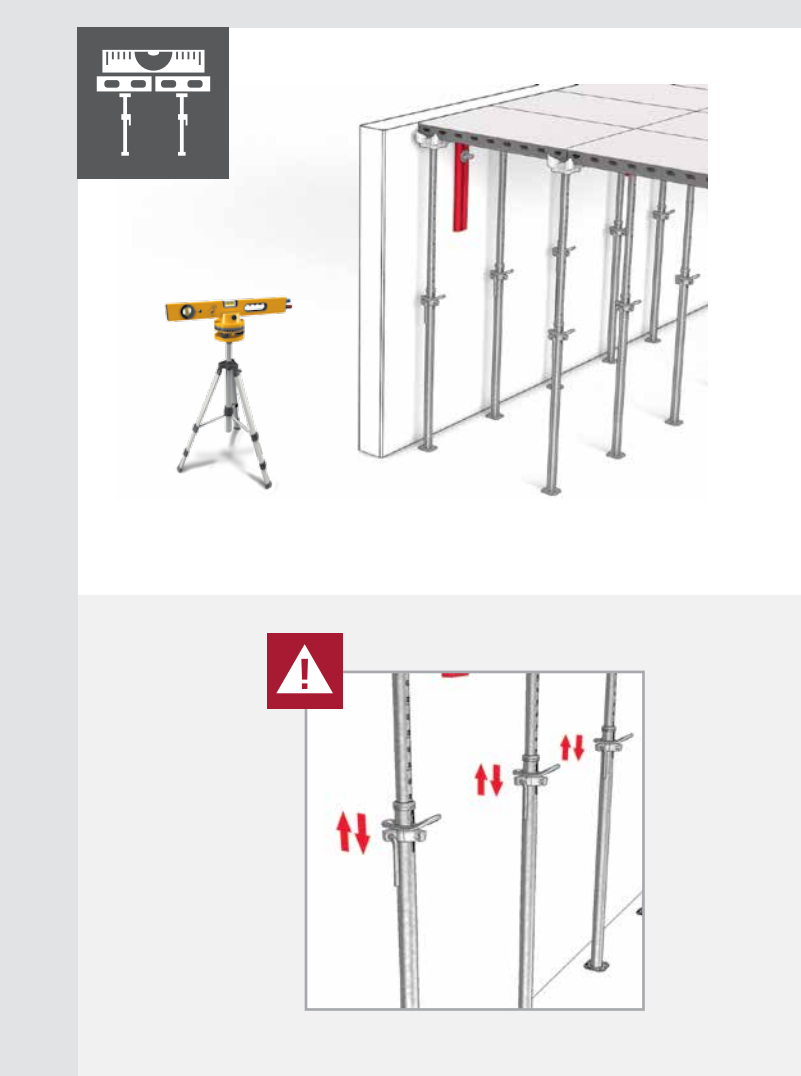
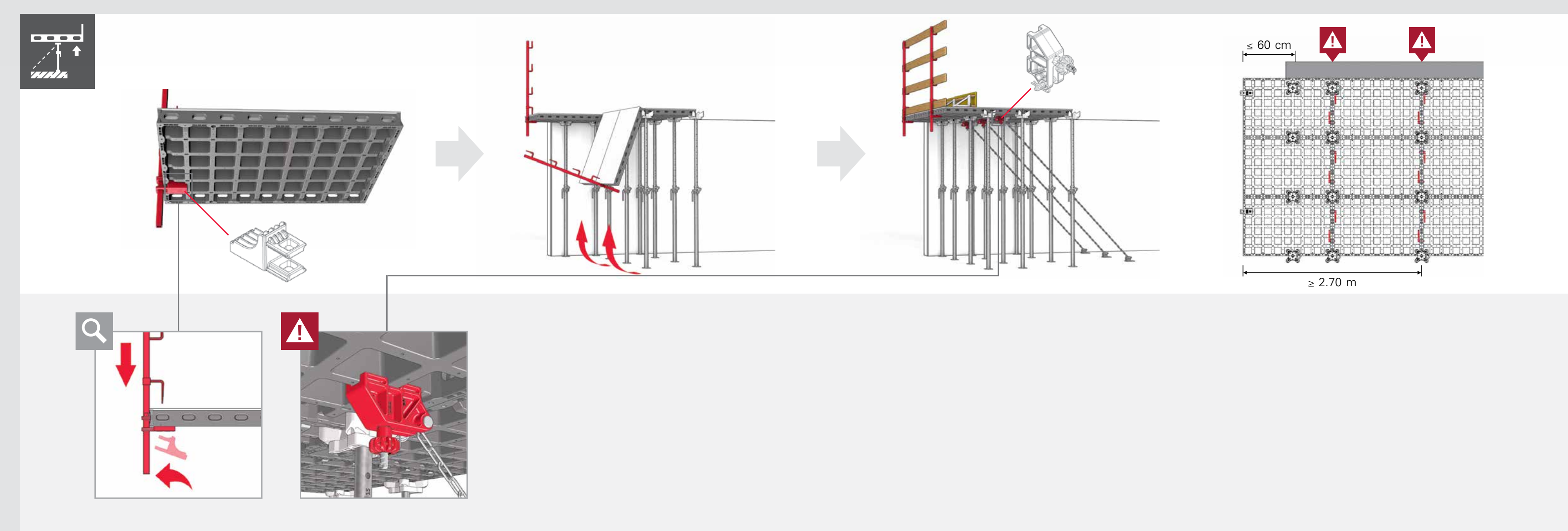
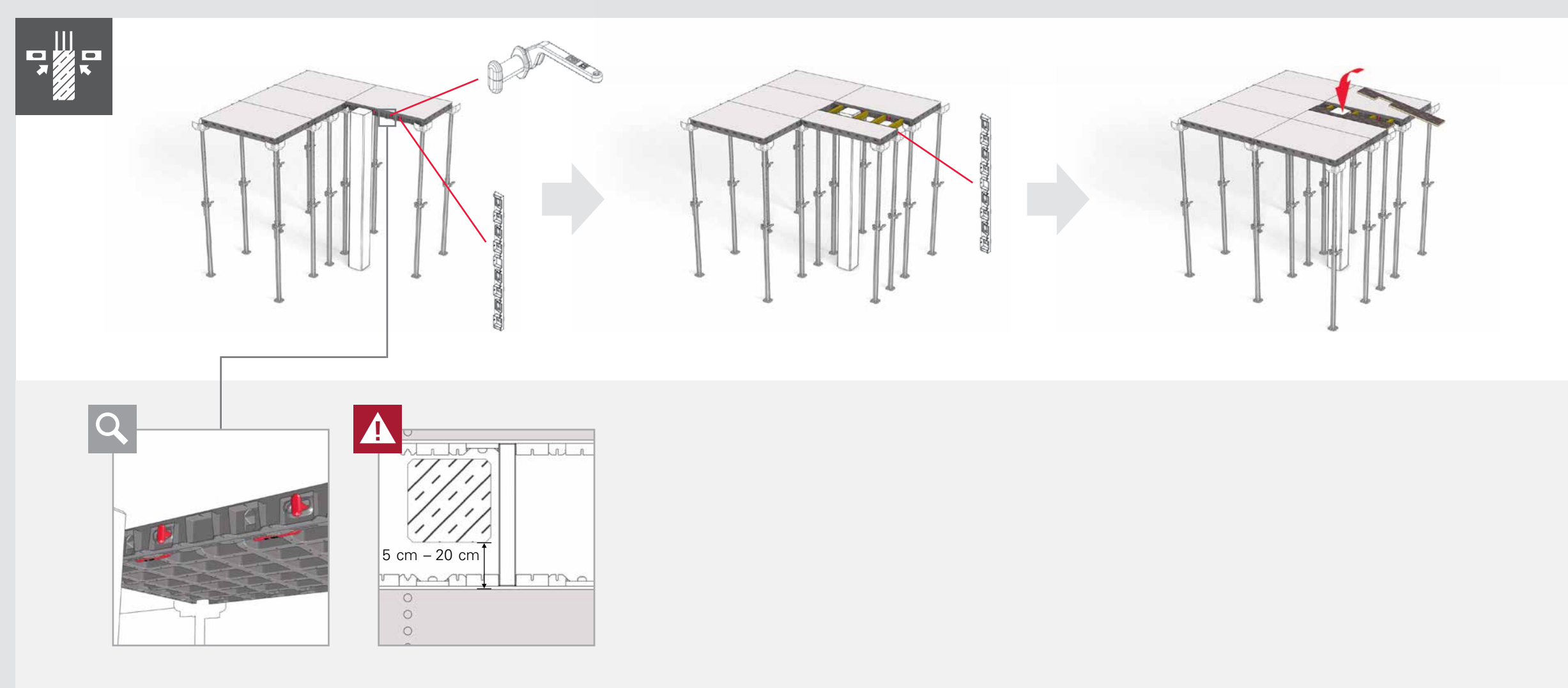
The poster presents only part of the intended use of the system. The poster may only be used in connection with the corresponding instructions for Assembly and Use and Original Instructions.

All current laws and regulations in those states and countries where our products are to be used must be observed. If no country-specific regulations are available, it is recommended to proceed according to German rules and regulations.

PERI
 Formwork Scaffolding Engineering
 Rudolf-Diesel-Strasse 15
 82524 Vasserathum
 Germany
 Tel. +49 01709 950-0
 Fax +49 01709 950-55
 info@peri.com
 www.peri.com

A

B



- DP 135x90
128280
- DMP 135x75
128281
- DP 135x60
128282
- DMP 135x45
128283
- DP 135x30
128284
- DP 135x15
128285
- 18 DFS 135
128245
- 15 DFS 135
128246
- Coupler DUO
128247
- Brace Connector DUO
128294
- Fix Head DFH
128298
- Wall Holder DUO 82
128263
- Shuttering Aid DUO
128299
- Slab Guardrail Holder DUO
128264
- Stacking Device DUO
128275
- Stacking Device DUO
128302
- Cleaning Device DUO
128278

**The optimal System
for every Project and
every Requirement**



Wall Formwork



Column Formwork



Slab Formwork



Climbing Systems



Bridge Formwork



Tunnel Formwork



Shoring Systems



Construction Scaffold



Facade Scaffold



Industrial Scaffold



Access



Protection Scaffold



Safety Systems



**System-Independent
Accessories**



Services



PERI GmbH
Formwork Scaffolding Engineering
 Rudolf-Diesel-Strasse 19
 89264 Weissenhorn
 Germany
 Tel. +49 (0)7309.950-0
 Fax +49 (0)7309.951-0
 info@peri.com
 www.peri.com

